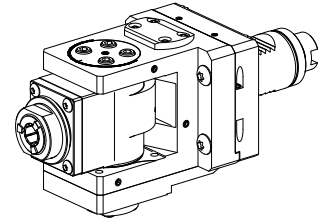


Drilling unit VDI 40 1:1,69 ER20, ±110°

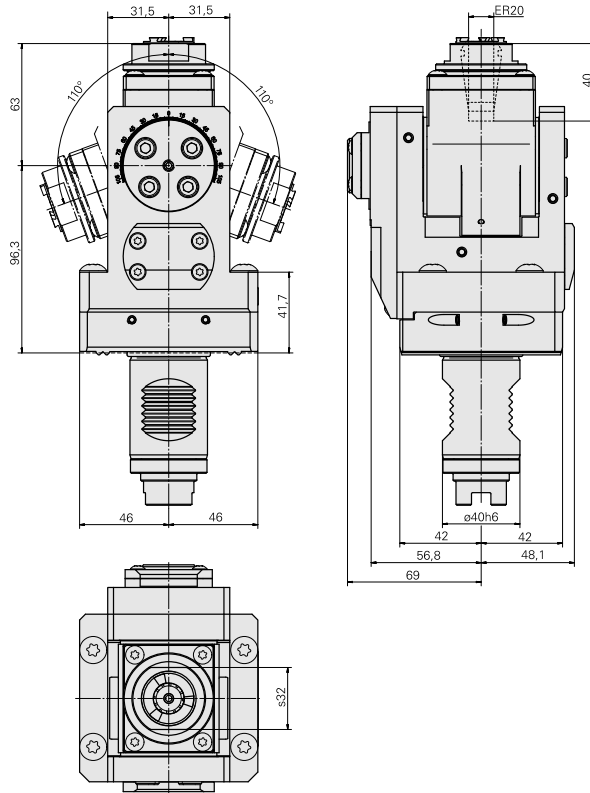
Technical data

Shank VDI	VDI 40
Drive	Dog clutch
Fixation VDI	W serration
Speed ratio	1:1,69
Cooling	internal
Pressure	80 bar
Mounting	ER20
reversible 180°	yes
Direction	same as drive direction
X [mm]	96,3 (3,79")
Y [mm]	–
Z [mm]	–
INDEX TRAUB products	B400 • B500 • G320.2 • G400.2 • G420 • G500 • G520 • TNA400.2 • TNA500.2 • B400.3 • TNA400.3 • B500.3 • TNA500.3



Note

With internal cooling, dry running is only permitted during setup of the workpiece!



Documents

No downloads available for this product

Accessories

Required for operation

[Spanner](#)

Product ID : 10085639

Previous product ID : 490219.3201

TH accessories category Tool	Mounting ER20	Collet type ER 20	Clamping nut type Male thread
Tools for Collet chucks Clamping nut wrench			

Optional accessories

Tool holder accessories

[Clamping nut](#)

Product ID : 10566942

Previous product ID : 901939.5201

TH accessories category Clamping nut	Mounting ER20	Collet type ER 20	Clamping nut type Male thread
---	------------------	----------------------	----------------------------------

Other accessories

[Clamping collet](#)

Product ID : 10863981

Previous product ID : 901930.2---

[tapping tool collet ET-1-20](#)

Product ID : 10418139

Previous product ID : 3234--

[Collet chuck](#)

Product ID : 10135002

Previous product ID : W999066-

[Clamping collet, sealed](#)

Product ID : 10919110

Previous product ID : W999084-

[Closure plug](#)

Product ID : 11029296

Previous product ID : W68560.1314

[Sealing kit](#)

Product ID : 12181693

Previous product ID :
