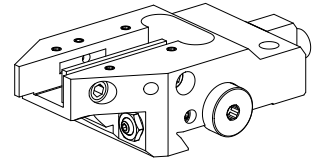


Turning tool holder MS16/MS22 Square 16x

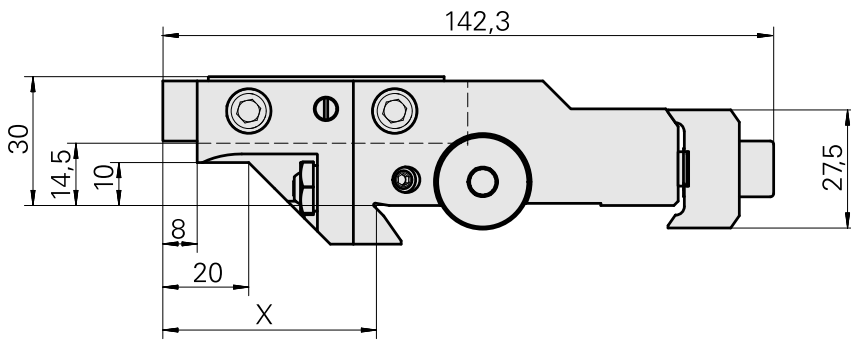
Technical data

| | |
|-----------------------------|---|
| Slide system MS | MS16/MS22 |
| Drive | not live |
| Fixation MS | Dovetail |
| Cooling | external and internal |
| Pressure | 80 bar |
| Direction | right-handed run |
| Mounting | Square 16x16 |
| X [mm] | 49.7 (1.96") |
| Y [mm] | – |
| Z [mm] | 14.5 (0.57) |
| INDEX TRAUB products | A100 • MS16-6 • MS22-6 • MS22-8 • MS24-6 • MS24-8 • MS16-6 Plus |



Note

Stop plate is not included!



| | |
|---|------|
| X | 49,7 |
|---|------|



Documents

No downloads available for this product

Accessories

Optional accessories

Tool holder accessories

[Plate, height 4 mm \(0.15"\)](#)

Product ID : 12050311

Previous product ID :

TH accessories
category
Compensation plate

Mounting
Square 16x16

Other accessories

[Stop plate](#)

Product ID : 12125993

Previous product ID :

[Ball nozzle D8xM5](#)

Product ID : 10392450

Previous product ID : W02019.0002

[Hollow screw M12x1](#)

Product ID : 10757766

Previous product ID : W02013.0001

[SET SCREW](#)

Product ID : 10244712

Previous product ID : 410156.0505

Bush 4x8x12

Product ID : 10831938

Previous product ID : W02010.0002
