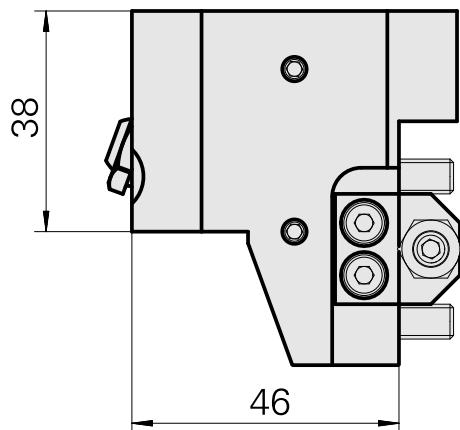
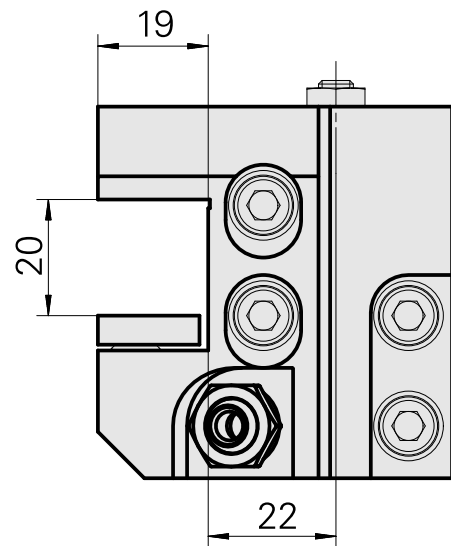
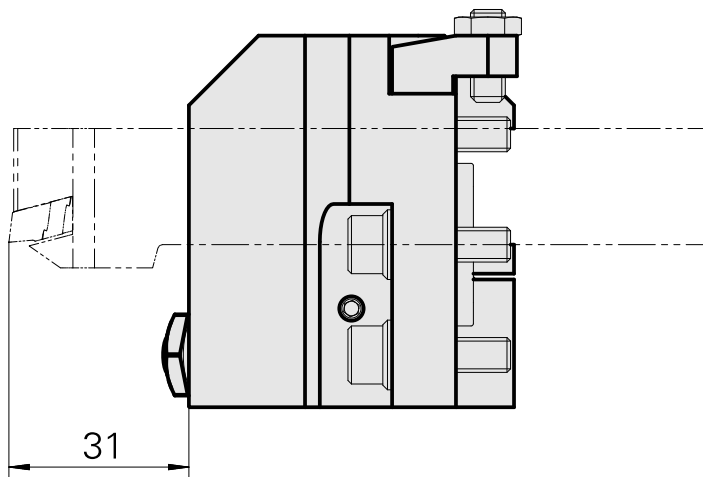
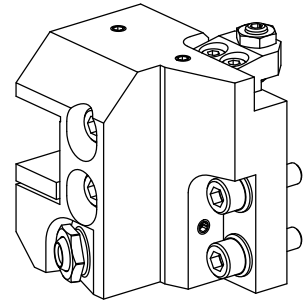


Grooving tool holding block Square 20x20, adjustable in Y direction

Technical data

Drive	not live
Cooling	external
Pressure	80 bar
Direction	right-handed run
Mounting	Square 20x20
X [mm]	–
Y [mm]	–
Z [mm]	–
INDEX TRAUB products	MS16-6 • MS16-6 Plus



Documents

No downloads available for this product

Accessories

Optional accessories

Other accessories

[BUSHING 10 D x 6 D x 12,5](#)

Product ID : 10670360

Previous product ID : W67530.0824

[HOLLOW SCREW M14x1 M14x1](#)

Product ID : 10105238

Previous product ID : W67530.0818

[Coolant Nozzle](#)

Product ID : 11031912

Previous product ID : W67500.3208
