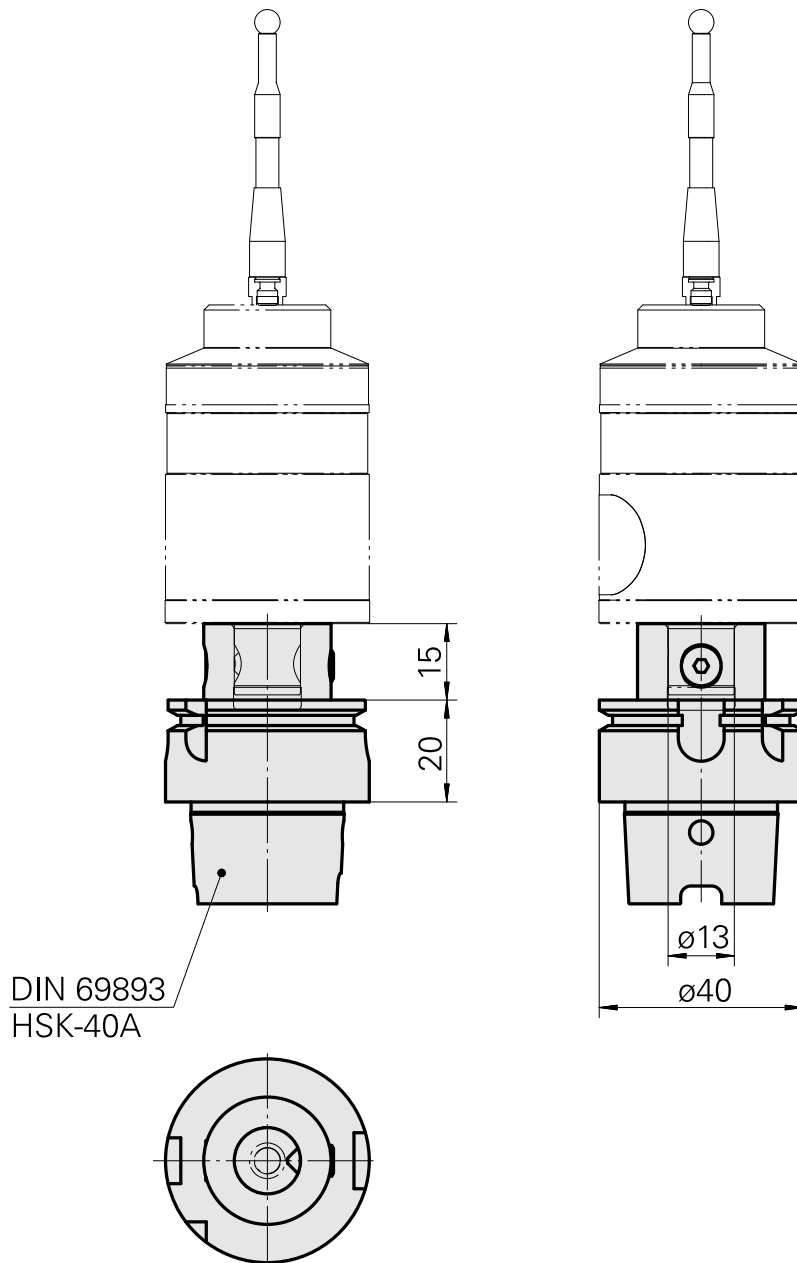
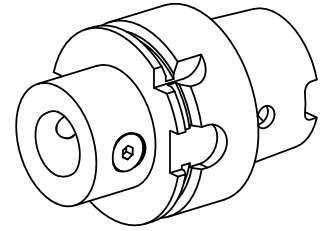


Probe holder HSK 40 A Blum

Technical data

Shank HSK	HSK 40
Form HSK	A
Mounting	Blum
X [mm]	35 (1.38")



Documents

No downloads available for this product

Accessories

Required for operation

Not defined

Product ID : 12133362

Previous product ID :

Not defined

Product ID : 12133363

Previous product ID :

Optional accessories

Tool holder accessories

Coolant adapter kit

Product ID : 10581780

Previous product ID : WS7400.0020

TH accessories
category
Cooling lubricant
transfer set

Mounting
HSK 40 A/C

Socket wrench

Product ID : 10532354

Previous product ID : WS7400.0010

TH accessories
category
Tool for KSS adapter

Mounting
HSK 40 A/C

Other accessories

Chip Protection

Product ID : **12007557**

Previous product ID :
