

## 3-jaw chuck

### Technical data

**INDEX TRAUB products**

B500 • TNA500.2 • B500.3 •  
TNA500.3

**Spindle clearance**

102mm

**Machining side**

Main spindle

**manufacturer product line**

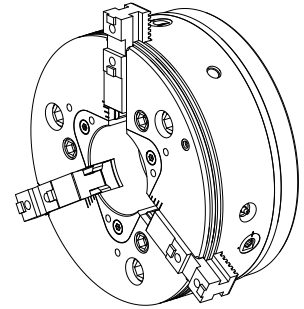
ROTA THW PLUS 315-104 A11

**Spindle mounting**

KK11

**manufacturer product line**

Schunk



No 3-side view is currently available for this product

## **Documents**

No downloads available for this product