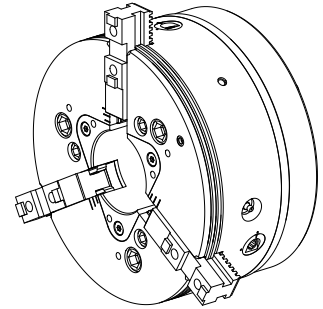


3-Backenfutter Rota THW plus 260-81 A8

Technical data

INDEX TRAUB products	B400 • TNA400.2 • B400.3 • TNA400.3
Spindle clearance	82mm
Machining side	Main spindle
manufacturer product line	ROTA THW PLUS 260-81 A8
Spindle mounting	KK 8
manufacturer product line	Schunk



No 3-side view is currently available for this product

Documents

No downloads available for this product

Accessories

Optional accessories

Other accessories

[Cover](#)

Product ID : 10559129

Previous product ID : 887836
