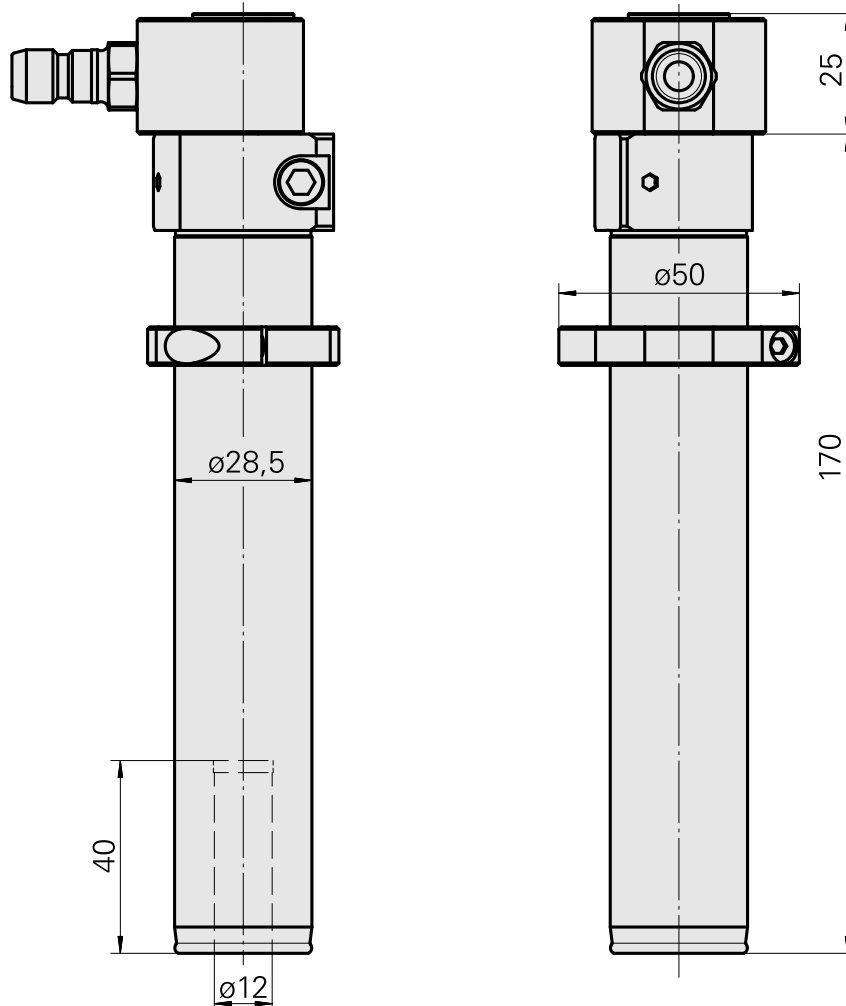
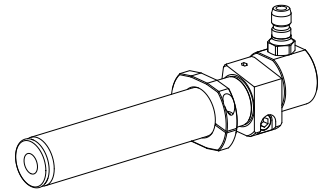


Drilling tool holder Hydraulic expansion

Technical data

| | |
|----------------------|--|
| Drive | not live |
| Fixation MS | Clamping ring D28.5 |
| Cooling | internal |
| Pressure | 80 bar |
| Mounting | Hydraulic expansion chuck D12 |
| X [mm] | - |
| Y [mm] | - |
| Z [mm] | - |
| INDEX TRAUB products | MS22-6 • MS22-8 • MS16-6 • MS24-6 • MS16-6 Plus |



Documents

Product notes

[DE \(pdf\)](#)

[EN \(pdf\)](#)

[FR \(pdf\)](#)

Accessories

Optional accessories

Other accessories

[Reductions Hydraulic Expansion D12](#)

Product ID : 10945239

Previous product ID : W99911--

[QUICK COUPLING SP-006-0-WR513-11-2 Serie LP](#)

Product ID : 10837142

Previous product ID : 474940.0112
