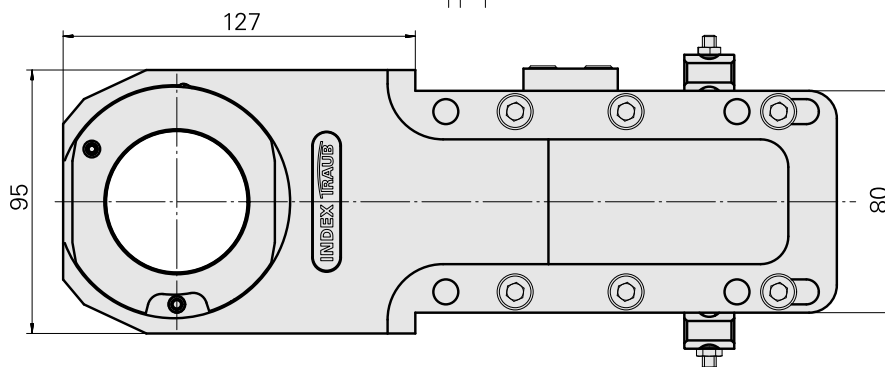
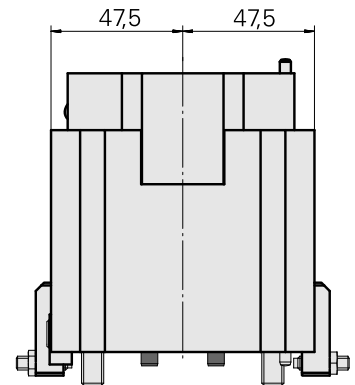
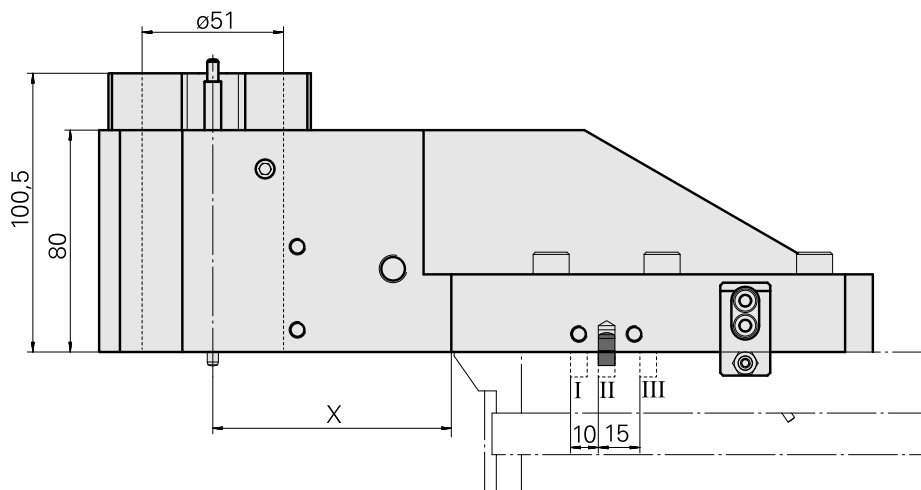
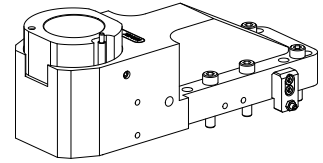


Basic holder MS32/MS40 Hydraulic expansi

Technical data

| | |
|-----------------------------|-------------------------------|
| Slide system MS | MS32/MS40 |
| Drive | not live |
| Fixation MS | Splined key/pin |
| Mounting | Hydraulic expansion chuck D51 |
| X [mm] | 86 (3.39") |
| Y [mm] | - |
| Z [mm] | 0 0 |
| INDEX TRAUB products | MS40-8 |



| | I | II | III |
|---|----|----|-----|
| X | 96 | 86 | 71 |

Documents

Product notes

[DE \(pdf\)](#)

[EN \(pdf\)](#)

[FR \(pdf\)](#)

[FR \(pdf\)](#)

[EN \(pdf\)](#)

[DE \(pdf\)](#)

Accessories

Optional accessories

Tool holder accessories

[Reductions Hydraulic Expansion D51/ D36](#)

Product ID : 10455757

Previous product ID : W95281.1550

TH accessories
category
Reductions Hydraulic
Expansion

Mounting
D51

Tool mounting
D36

Other accessories

[Not defined Standard MS52](#)

Product ID : 10397970

Previous product ID : WM3700.3110F
