

---

## Blanking plug HSK 40 A

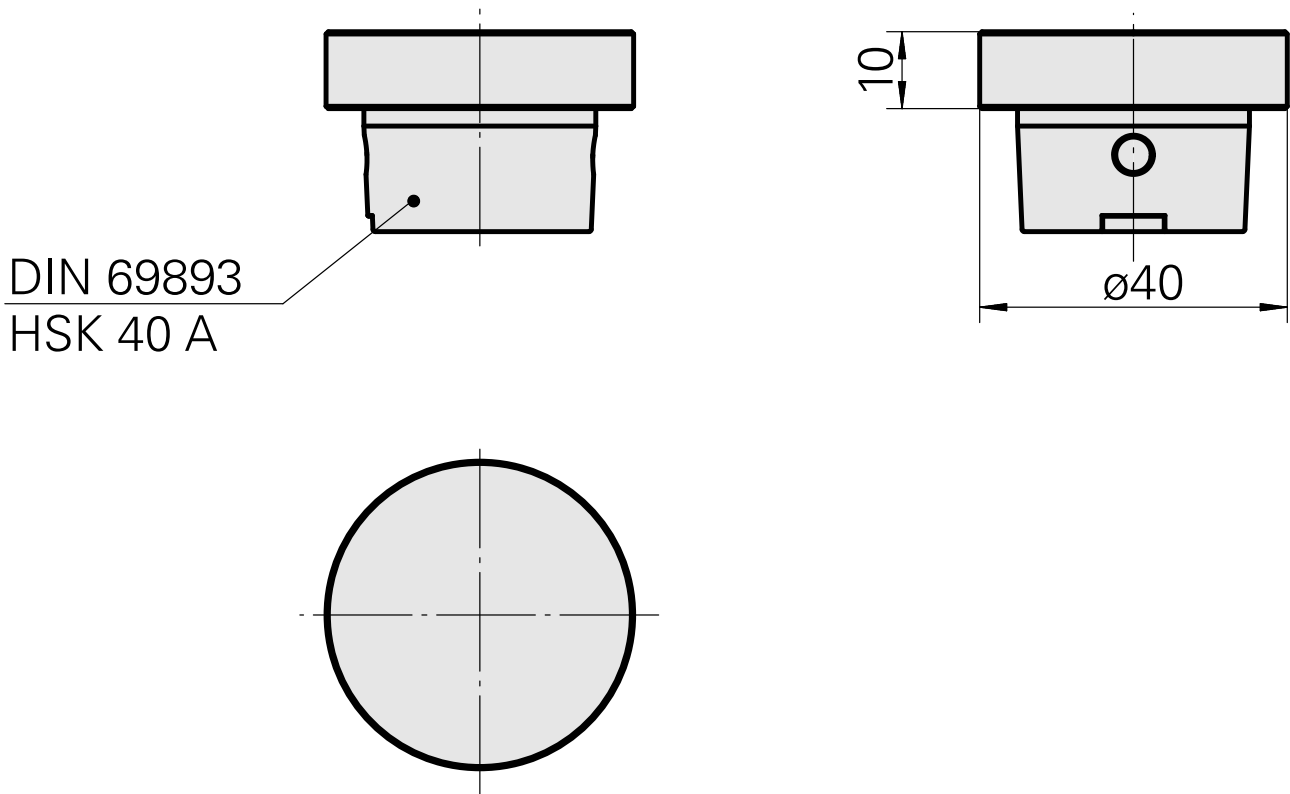
### Technical data

Shank HSK	HSK 40
Form HSK	A
X [mm]	10 (0.39")
INDEX TRAUB products	G160 • V100 • G200.2 • R200 • G220.3 • TNX220.3



### Note

No rotation permitted!



## **Documents**

No downloads available for this product