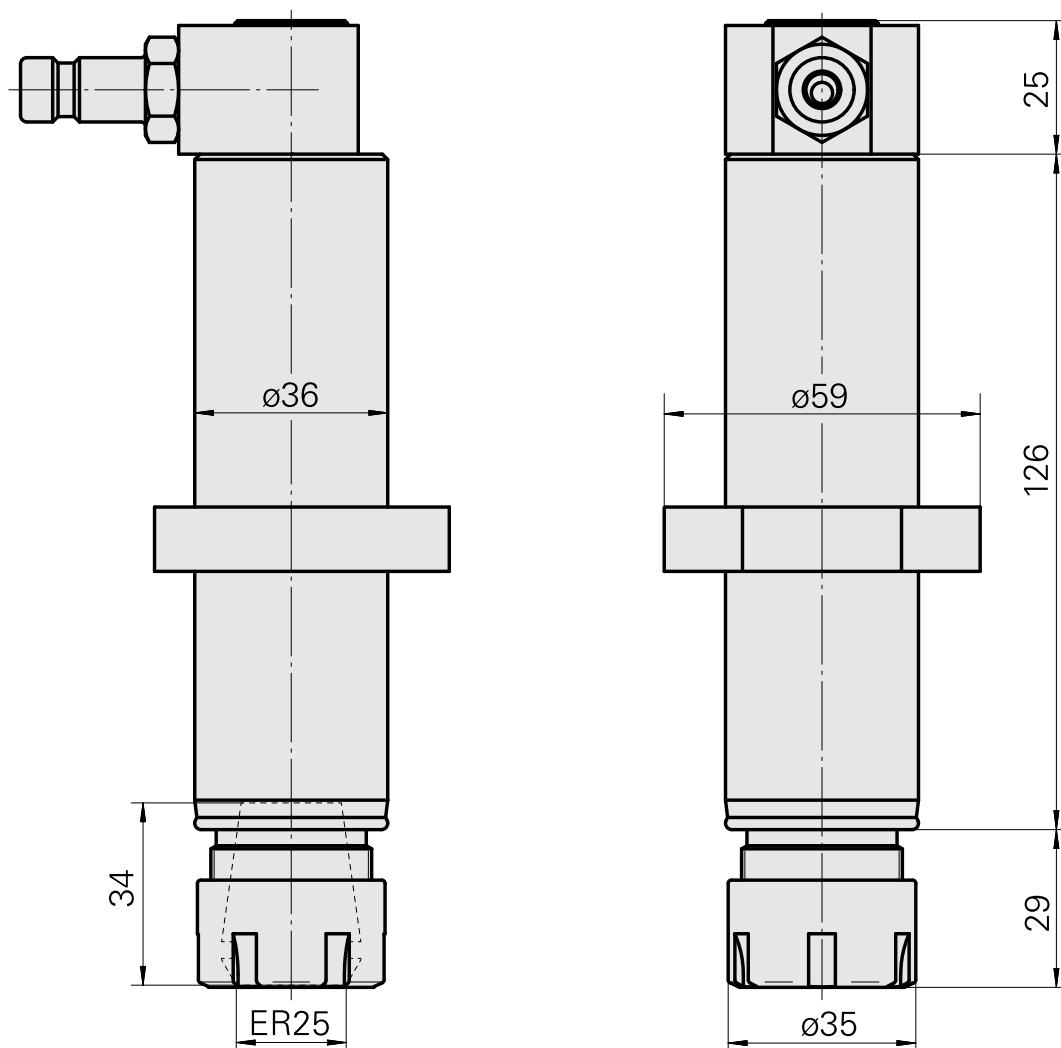
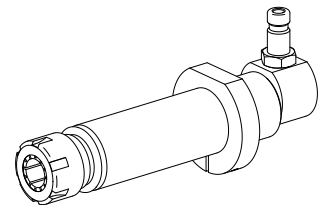


## Drilling tool holder ER25

### Technical data

Drive	not live
Fixation MS	Clamping ring D36
Cooling	internal
Pressure	80 bar
Mounting	ER25
X [mm]	-
Y [mm]	-
Z [mm]	-
INDEX TRAUB products	MS32C • MS52C • MS32-6.2 • MS40-6 • MS40-8 • MS52-6.3 • MS32-6.3



---

## Documents

No downloads available for this product

## Accessories

Required for operation

### [Spanner](#)

Product ID : 10408249

Previous product ID : 490219.2251

TH accessories category Tool	Mounting ER25	Collet type ER 25	Clamping nut type Female thread diameter reduced
Tools for Collet chucks Clamping nut wrench			

### Optional accessories

#### Tool holder accessories

### [Clamping nut](#)

Product ID : 10861535

Previous product ID : 901939.2251

TH accessories category Clamping nut	Mounting ER25	Collet type ER 25	Clamping nut type Female thread diameter reduced
---	------------------	----------------------	--

#### Other accessories

### [Clamping collet](#)

Product ID : 10206464

Previous product ID : 901930.3---

---

### [tapping tool collet ET-1-25](#)

Product ID : 10191234

Previous product ID : 3224--

---

11036224  
W5190078

**INDEX**

---

[tapping tool collet](#)

Product ID : 10256515  
Previous product ID : WZ9990.9507F

---

[Collet chuck](#)

Product ID : 10029756  
Previous product ID : W999067-

---

[QUICK COUPLING SP-006-0-WR513-11-2 Serie LP](#)

Product ID : 10837142  
Previous product ID : 474940.0112

---

[QUICK DISCONNECT FITTING SP-006-1-WR013-11 Serie LP](#)

Product ID : 10186287  
Previous product ID : 474946.25

---