

Clamping nut

Technical data

TH accessories category

Clamping nut

Mounting

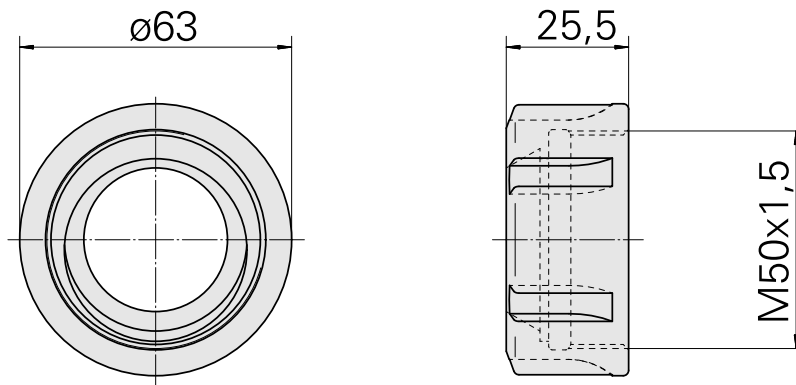
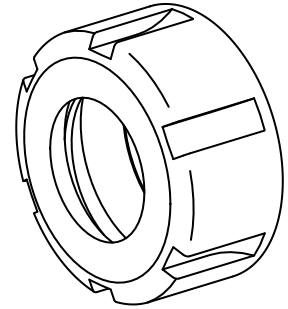
ER40

Collet type

ER 40

Clamping nut type

Female thread



Documents

No downloads available for this product