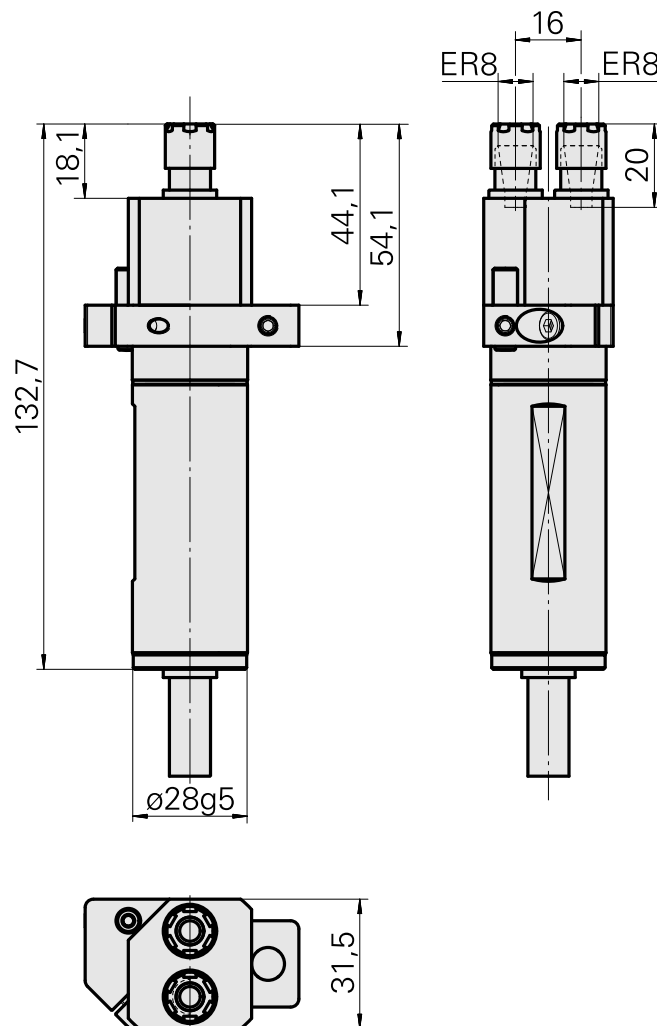
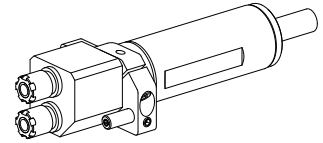


## Drilling tool holder Shank 28 ER8, double

### Technical data

|                      |                   |
|----------------------|-------------------|
| Shank TNL            | Shank 28          |
| Drive                | not live          |
| Fixation TNL         | Pre-centering pin |
| Cooling              | internal          |
| Pressure             | 120 bar           |
| Mounting             | ER8               |
| X [mm]               | ±8 (±0.32")       |
| Y [mm]               | -                 |
| Z [mm]               | 54 (2.13)         |
| INDEX TRAUB products | TNL12 • TNL12.2   |



---

## Documents

No downloads available for this product

## Accessories

Required for operation

### COOLANT TUBE COMPLETE

Product ID : 10255957

Previous product ID : 989156

---

### CL feeder, fixed TNL12.2, Back/front working unit

Product ID : 12063156

Previous product ID :

---

### Spanner

Product ID : 11077222

Previous product ID : 323118

|  |                 |                     |   |
|--|-----------------|---------------------|---|
| TH accessories category<br>Tool                | Mounting<br>ER8 | Collet type<br>ER 8 | Clamping nut type<br>Female thread diameter reduced |
| Tools for Collet chucks<br>Clamping nut wrench |                 |                     |   |

## Optional accessories

### Tool holder accessories

### Clamping nut

Product ID : 10490215

Previous product ID : 323117

|   |                 |                     |   |
|---|-----------------|---------------------|---|
| TH accessories category<br>Clamping nut | Mounting<br>ER8 | Collet type<br>ER 8 | Clamping nut type<br>Female thread diameter reduced |
|---|-----------------|---------------------|---|

### Other accessories

11028802  
987211

**INDEX**

---

Clamping collet

Product ID : 10719579

Previous product ID : 901930.8---

---

Spanner

Product ID : 12083203

Previous product ID :

---