

Grooving tool holder MS16/MS22 Trapezoid

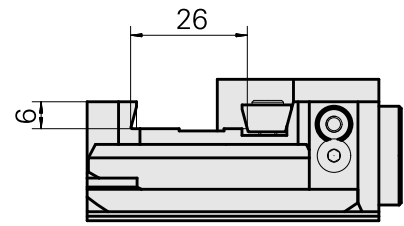
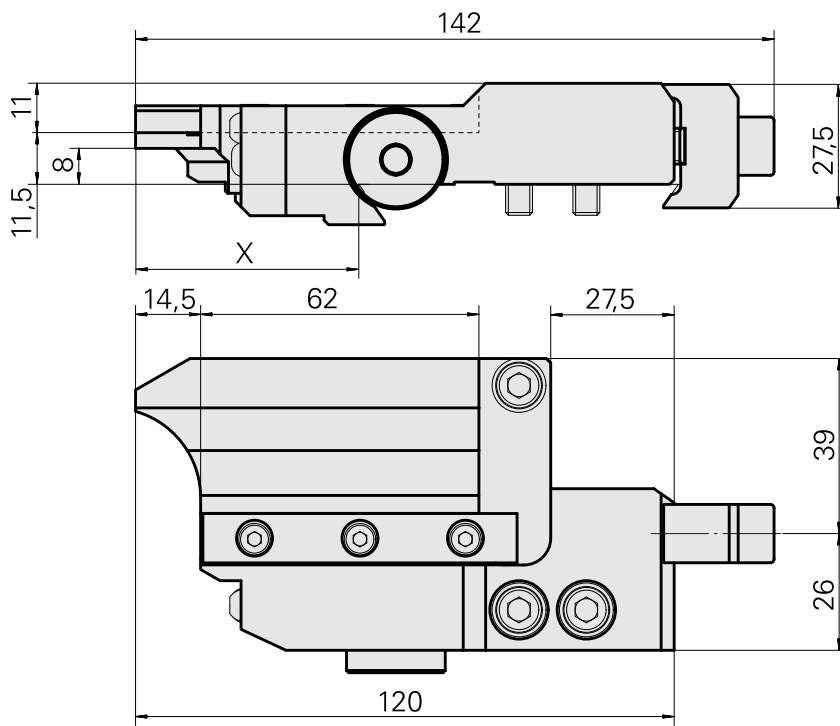
Technical data

| | |
|-----------------------------|--------------------------|
| Slide system MS | MS16/MS22 |
| Drive | not live |
| Fixation MS | Dovetail |
| Cooling | external |
| Pressure | 20 bar |
| Direction | right-handed run |
| Mounting | Trapezoid 26x4 |
| X [mm] | 49.7 (1.96") |
| Y [mm] | – |
| Z [mm] | 11.5 (0.45) |
| INDEX TRAUB products | MS22-6 • MS24-6 • MS24-8 |



Note

When there is rear end machining with 3 fixed tool holders, mounting occurs in position 5.1!



| | |
|---|------|
| X | 49,7 |
|---|------|

Documents

No downloads available for this product

Accessories

Optional accessories

Other accessories

[Screw Nacharb. an 410620.0830](#)

Product ID : 10932780

Previous product ID : W00013.0056

[Ball nozzle 8D/M3,5](#)

Product ID : 10174644

Previous product ID : 474550.0071

[Lens head screw](#)

Product ID : 10344546

Previous product ID : 410243.0406
