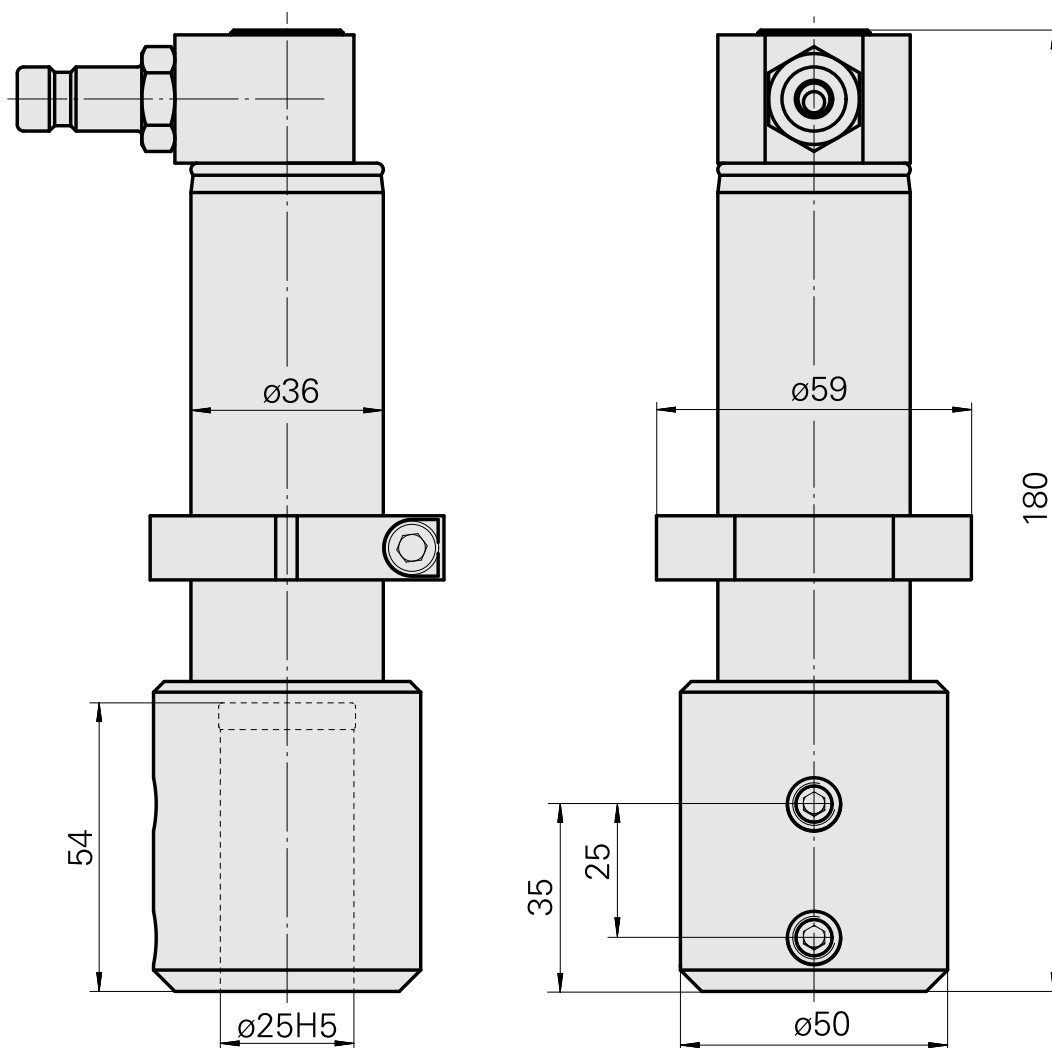
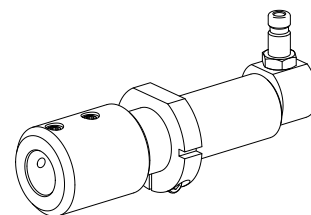


## Drilling tool holder D25

### Technical data

|                      |  |
|----------------------|--|
| Drive                | not live   |
| Fixation MS          | Clamping ring D36  |
| Cooling              | internal   |
| Pressure             | 80 bar   |
| Mounting             | D25  |
| X [mm]               | -  |
| Y [mm]               | -  |
| Z [mm]               | -  |
| INDEX TRAUB products | MS32C • MS52C • MS32-6.2 •<br>MS40-6 • MS40-8 • MS52-6.3 •<br>MS32-6.3 |



## Documents

No downloads available for this product

## Accessories

Optional accessories

### Other accessories

#### [Mounting sleeve with collar D25](#)

Product ID : 10070544

Previous product ID : W62221.41--

---

#### [QUICK COUPLING SP-006-0-WR513-11-2 Serie LP](#)

Product ID : 10837142

Previous product ID : 474940.0112

---

#### [QUICK DISCONNECT FITTING SP-006-1-WR013-11 Serie LP](#)

Product ID : 10186287

Previous product ID : 474946.25

---