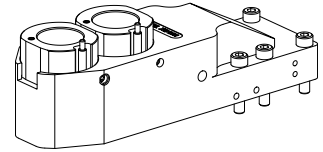


## Basic holder MS32/MS40 Hydraulic expansi, double

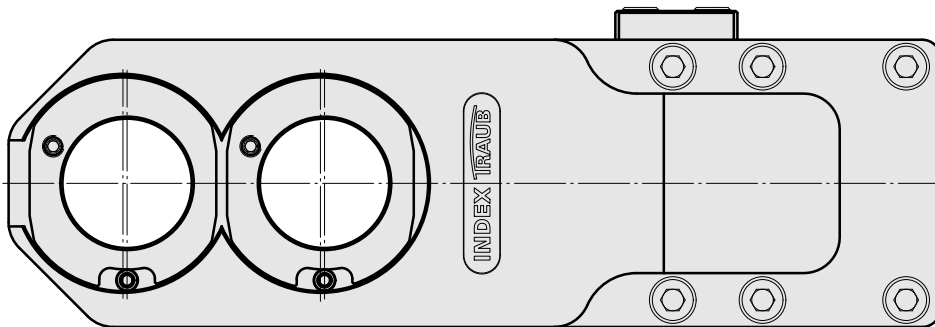
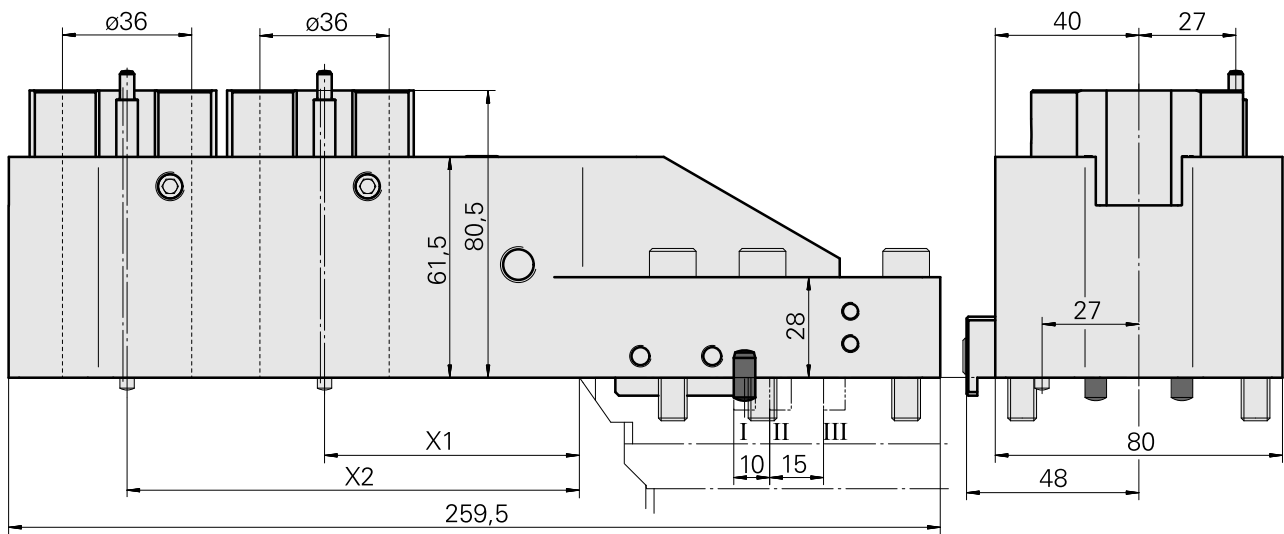
### Technical data

<b>Slide system MS</b>	MS32/MS40
<b>Drive</b>	not live
<b>Fixation MS</b>	Splined key/pin
<b>Mounting</b>	Hydraulic expansion chuck D36
<b>X [mm]</b>	71 + 126 (2.80" + 4.96")
<b>Y [mm]</b>	–
<b>Z [mm]</b>	0 ()
<b>INDEX TRAUB products</b>	MS32C • MS32-6.2 • MS40-6 • MS32-6.3



### Note

I, II, and III correspond to the respective groove in the slide plate!  
When using grooving tool holder 10933253 on the adjacent stations, a collision detection check must be performed! Cannot be used on the INDEX MS32-6 with 3-axis-handling in positions 1.2, 2.1 and 5.1! Use 10314588 for this!



	I	II	III
X1	71	61	46
X2	126	116	101

---

## Documents

### Product notes

[DE \(pdf\)](#)

[EN \(pdf\)](#)

[FR \(pdf\)](#)

[FR \(pdf\)](#)

[EN \(pdf\)](#)

[DE \(pdf\)](#)

## Accessories

### Optional accessories

#### MS tool holders

##### [Blanking plug](#)

Product ID : 12013852

Previous product ID :

Drive not live	Fixation MS Clamping ring D36	X [mm] -	Y [mm] -
Z [mm] -			

#### Other accessories

##### [Eccentric bush](#)

Product ID : 11066776

Previous product ID : W9990513

---

##### [Not defined Standard MS32](#)

Product ID : 10536748

Previous product ID : WM3600.3100F

---