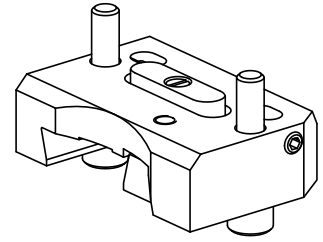


## Grooving tool holding block Trapezoid 26

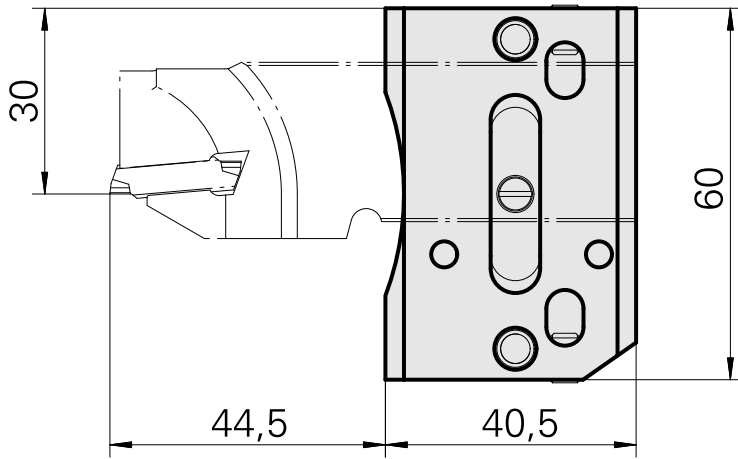
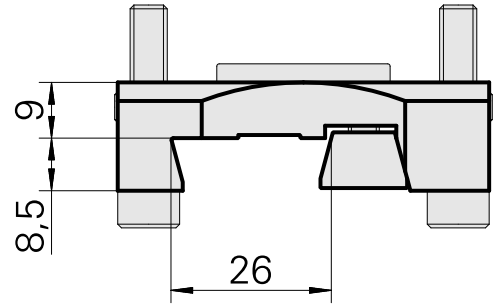
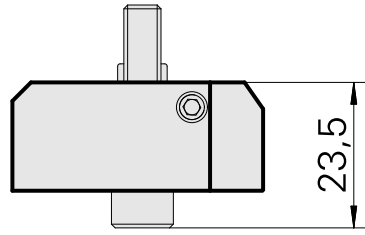
### Technical data

|                             |                      |
|-----------------------------|----------------------|
| <b>Drive</b>                | not live             |
| <b>Direction</b>            | right-handed run     |
| <b>Mounting</b>             | Trapezoid 26x8       |
| <b>X [mm]</b>               | 40.5 (1.59")         |
| <b>Y [mm]</b>               | –                    |
| <b>Z [mm]</b>               | 9 (0.35)             |
| <b>INDEX TRAUB products</b> | MS16-6 • MS16-6 Plus |



### Note

Specially for left cutoff blades!



## **Documents**

No downloads available for this product

## **Accessories**

Optional accessories

**Other accessories**

[Clamping plate](#)

Product ID : 10575292

Previous product ID : W9990977

---