

## WFB 32-20 Horn Type 105

### Technical data

TH accessories category

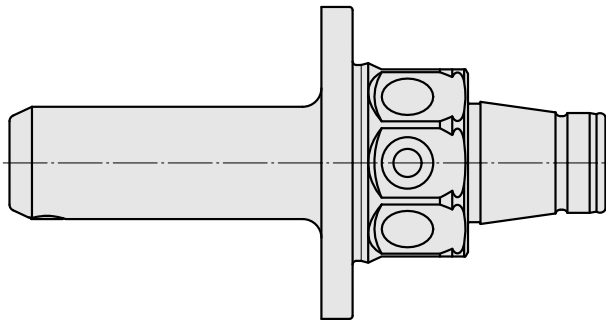
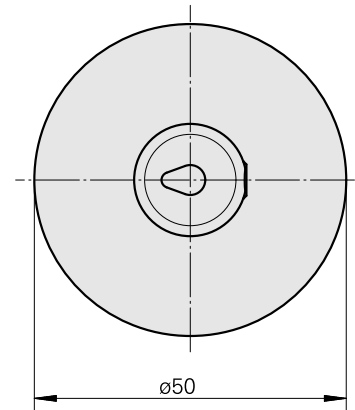
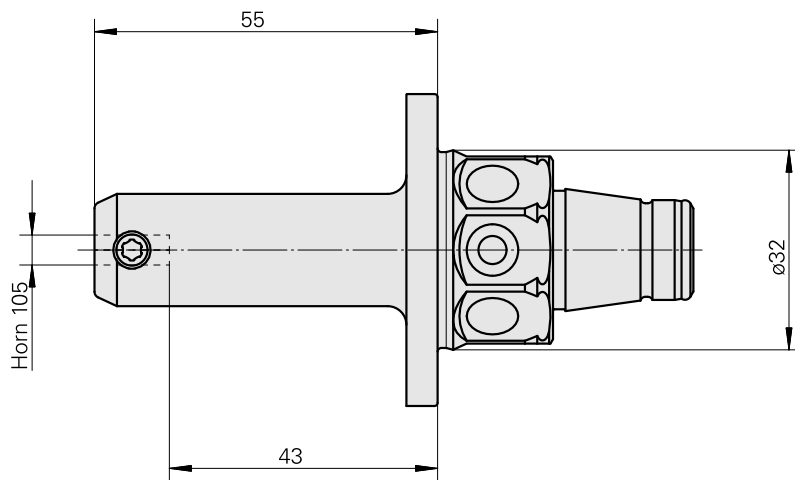
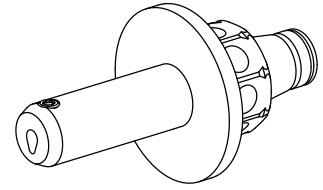
WFB 32-20

Mounting

Horn Type 105

Quick change inserts

Horn S-Mini



## **Documents**

No downloads available for this product