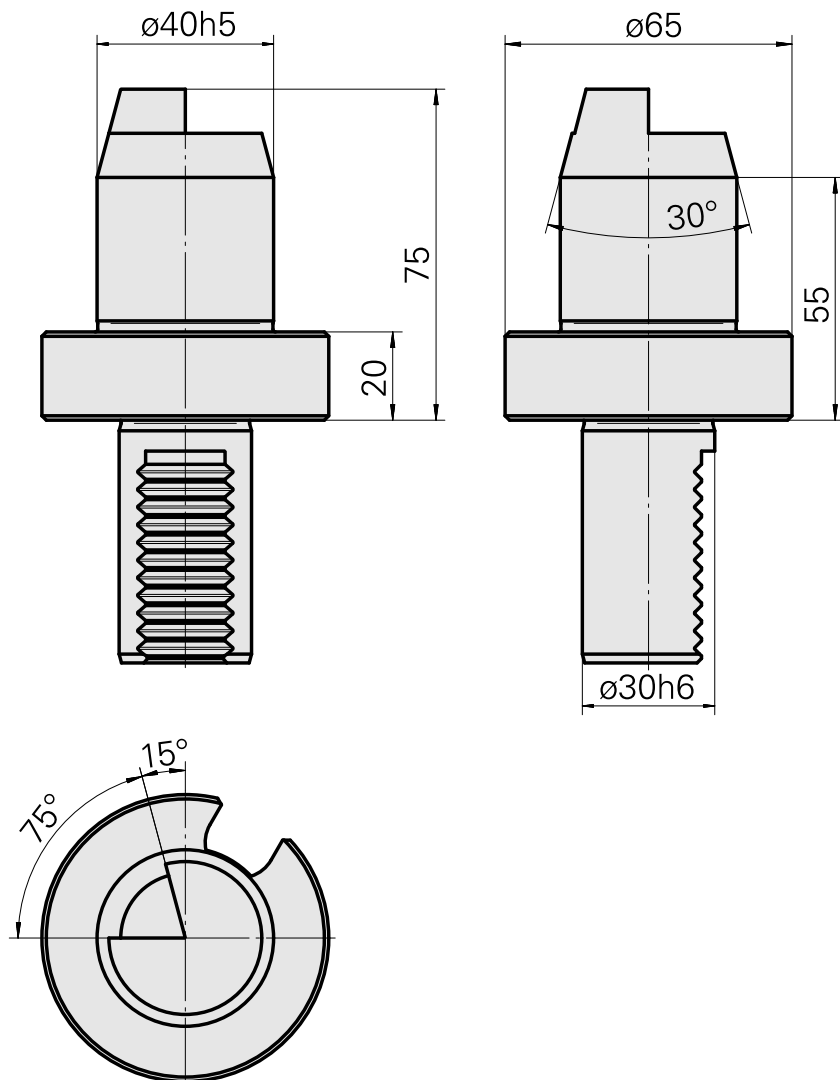
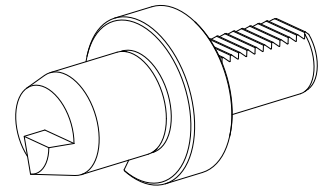


Calibrating tool VDI 30 D40 (1.57 ")

Technical data

Shank VDI	VDI 30
Drive	not live
Fixation VDI	none
Mounting	D40
reversible 180°	no
X [mm]	75 (2.95")
Y [mm]	-
Z [mm]	-
INDEX TRAUB products	TNA300



10812439
W1300059

INDEX

Documents

No downloads available for this product