
Basic holder HSK 40 T

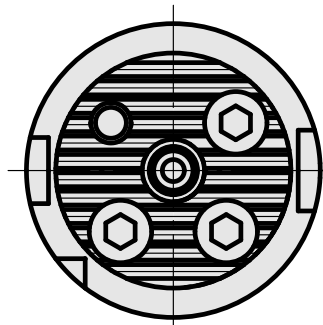
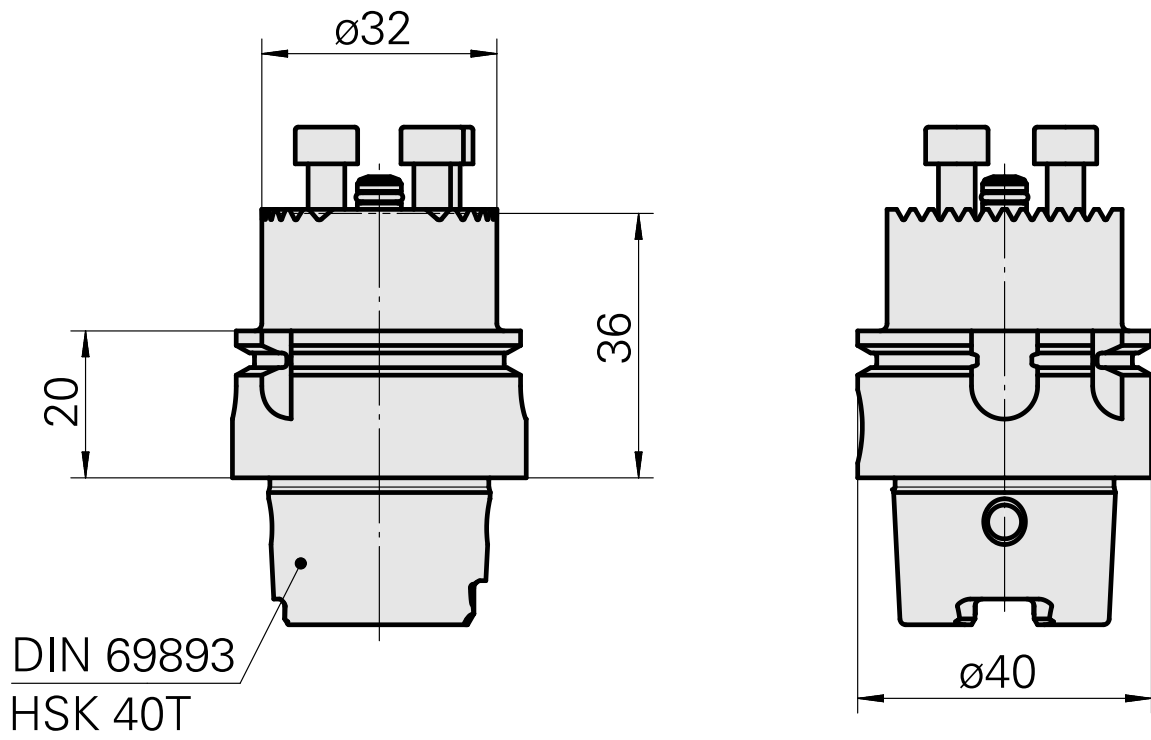
Technical data

Shank HSK	HSK 40
Form HSK	T
Cooling	internal
Pressure	80 bar
X [mm]	36 (1.42")
INDEX TRAUB products	G220.3 • G220 • R200 • TNX65/42 • TNX220.3



Note

Not suitable for INDEX G160, G250 and G400!



Documents

No downloads available for this product

Accessories

Required for operation

[Socket wrench](#)

Product ID : 10532354

Previous product ID : WS7400.0010

TH accessories
category
Tool for KSS adapter

Mounting
HSK 40 A/C

Optional accessories

Tool holder accessories

[Coolant adapter kit](#)

Product ID : 10581780

Previous product ID : WS7400.0020

TH accessories
category
Cooling lubricant
transfer set

Mounting
HSK 40 A/C

[Coolant supply, max. 120 bar](#)

Product ID : 12024083

Previous product ID :

TH accessories
category
Cooling lubricant
transfer set

Mounting
HSK 40 A/C

HSK tool holders

[Boring head for CC.. 09T3..](#)

Product ID : 10291582

Previous product ID : W9990167

Mounting for CC.. 09T3..	Cooling internal	Pressure 50 bar	X [mm] 45 (1.77")
Z [mm] 22 (0.87)	INDEX TRAUB products G220.3 • G220 • R200 • TNX65/42 • TNX220.3		

[Boring head for CC.. 09T3..](#)

Product ID : 10529372

Previous product ID : W9990168

Mounting for CC.. 09T3..	Cooling internal	Pressure 50 bar	X [mm] 45 (1.77")
Z [mm] 22 (0.87)	INDEX TRAUB products G220.3 • G220 • R200 • TNX65/42 • TNX220.3		

[Boring head for CN.. 1204..](#)

Product ID : 10352646

Previous product ID : W9990162

Mounting for CN.. 1204..	Cooling internal	Pressure 50 bar	X [mm] 32 (1.26")
Z [mm] 22 (0.87)	INDEX TRAUB products G220.3 • G220 • R200 • TNX65/42 • TNX220.3		

[Boring head for CN.. 1204..](#)

Product ID : 10726574

Previous product ID : W9990163

Mounting for CN.. 1204..	Cooling internal	Pressure 50 bar	X [mm] 32 (1.26")
Z [mm] 22 (0.87)	INDEX TRAUB products G220.3 • G220 • R200 • TNX65/42 • TNX220.3		

[Boring head for DC.. 11T3..](#)

Product ID : 10510081

Previous product ID : W9990169

Mounting for DC.. 11T3..	Cooling internal	Pressure 50 bar	X [mm] 32 (1.26")
Z [mm] 22 (0.87)	INDEX TRAUB products G220.3 • G220 • R200 • TNX65/42 • TNX220.3		

[Boring head for DC.. 11T3..](#)

Product ID : 10281537

Previous product ID : W9990170

Mounting for DC.. 11T3..	Cooling internal	Pressure 50 bar	X [mm] 32 (1.26")
Z [mm] 22 (0.87)	INDEX TRAUB products G220.3 • G220 • R200 • TNX65/42 • TNX220.3		

[Boring head for DC.. 11T3..](#)

Product ID : 10586077

Previous product ID : W9990280

Mounting for DC.. 11T3..	Cooling internal	Pressure 50 bar	X [mm] 40 (1.57")
Z [mm] 22 (0.87)	INDEX TRAUB products G220.3 • G220 • R200 • TNX65/42 • TNX220.3		

[Boring head for DC.. 11T3..](#)

Product ID : 10241150

Previous product ID : W9990281

Mounting for DC.. 11T3..	Cooling internal	Pressure 50 bar	X [mm] 40 (1.57")
Z [mm] 22 (0.87)	INDEX TRAUB products G220.3 • G220 • R200 • TNX65/42 • TNX220.3		

[Boring head for DN.. 1506..](#)

Product ID : 10748351

Previous product ID : W9990282

Mounting for DN.. 1506..	Cooling internal	Pressure 50 bar	X [mm] 45 (1.77")
Z [mm] 22 (0.87)	INDEX TRAUB products G220.3 • G220 • R200 • TNX65/42		

[Boring head for DN.. 1506..](#)

Product ID : 10684981

Previous product ID : W9990283

Mounting for DN.. 1506..	Cooling internal	Pressure 50 bar	X [mm] 45 (1.77")
Z [mm] 22 (0.87)	INDEX TRAUB products G220.3 • G220 • R200 • TNX65/42 • TNX220.3		

[Boring head for VC.. 1604..](#)

Product ID : 10153305

Previous product ID : W9990171

Mounting for VC.. 1604..	Cooling internal	Pressure 50 bar	X [mm] 32 (1.26")
Z [mm] 22 (0.87)	INDEX TRAUB products G220.3 • G220 • R200 • TNX65/42 • TNX220.3		

[Boring head for VC.. 1604..](#)

Product ID : 10862271

Previous product ID : W9990172

Mounting for VC.. 1604..	Cooling internal	Pressure 50 bar	X [mm] 32 (1.26")
Z [mm] 22 (0.87)	INDEX TRAUB products G220.3 • G220 • R200 • TNX65/42 • TNX220.3		

Boring head for VC.. 1604..

Product ID : 10508202

Previous product ID : W9990158

Mounting for VC.. 1604..	Cooling internal	Pressure 50 bar	X [mm] 32 (1.26")
Z [mm] 22 (0.87)	INDEX TRAUB products G220.3 • G220 • R200 • TNX65/42 • TNX220.3		

Boring head for VC.. 1604..

Product ID : 10022748

Previous product ID : W9990161

Mounting for VC.. 1604..	Cooling internal	Pressure 50 bar	X [mm] 32 (1.26")
Z [mm] 22 (0.87)	INDEX TRAUB products G220.3 • G220 • R200 • TNX65/42 • TNX220.3		