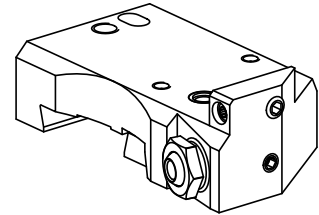


Grooving tool holding block Trapezoid 26

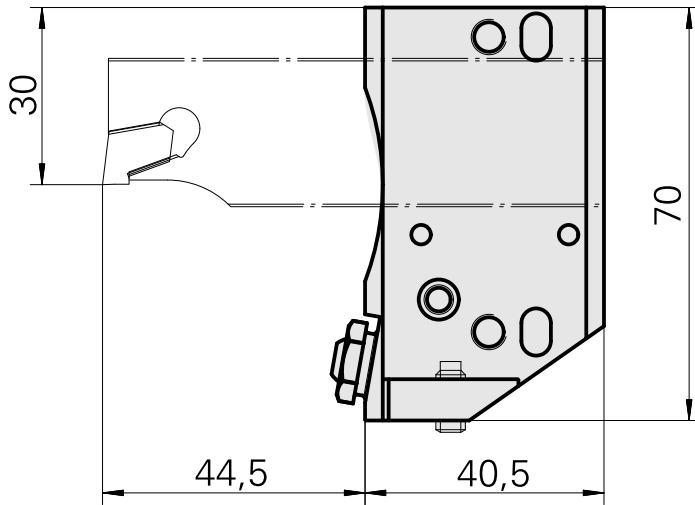
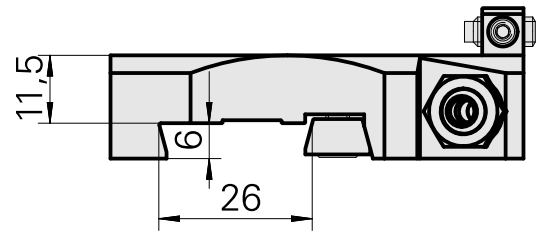
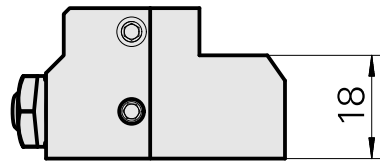
Technical data

| | |
|-----------------------------|----------------------|
| Drive | not live |
| Cooling | external |
| Pressure | 80 bar |
| Direction | right-handed run |
| Mounting | Trapezoid 26x5 |
| X [mm] | 40.5 (1.59") |
| Y [mm] | – |
| Z [mm] | 11.5 (0.45) |
| INDEX TRAUB products | MS16-6 • MS16-6 Plus |



Note

Specially for left cutoff blades!



Documents

No downloads available for this product

Accessories

Optional accessories

Other accessories

[Bush 4x8x12](#)

Product ID : 10831938

Previous product ID : W02010.0002

[Hollow screw M12x1](#)

Product ID : 10757766

Previous product ID : W02013.0001

[Ball nozzle D8xM5](#)

Product ID : 10392450

Previous product ID : W02019.0002

[Nozzle Kugel-D8](#)

Product ID : 10007891

Previous product ID : 904837

[Stop plate](#)

Product ID : 10113552

Previous product ID : W9990974
