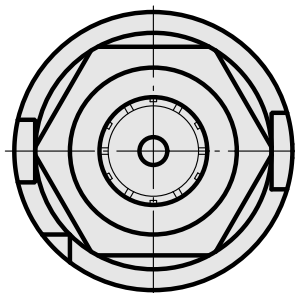
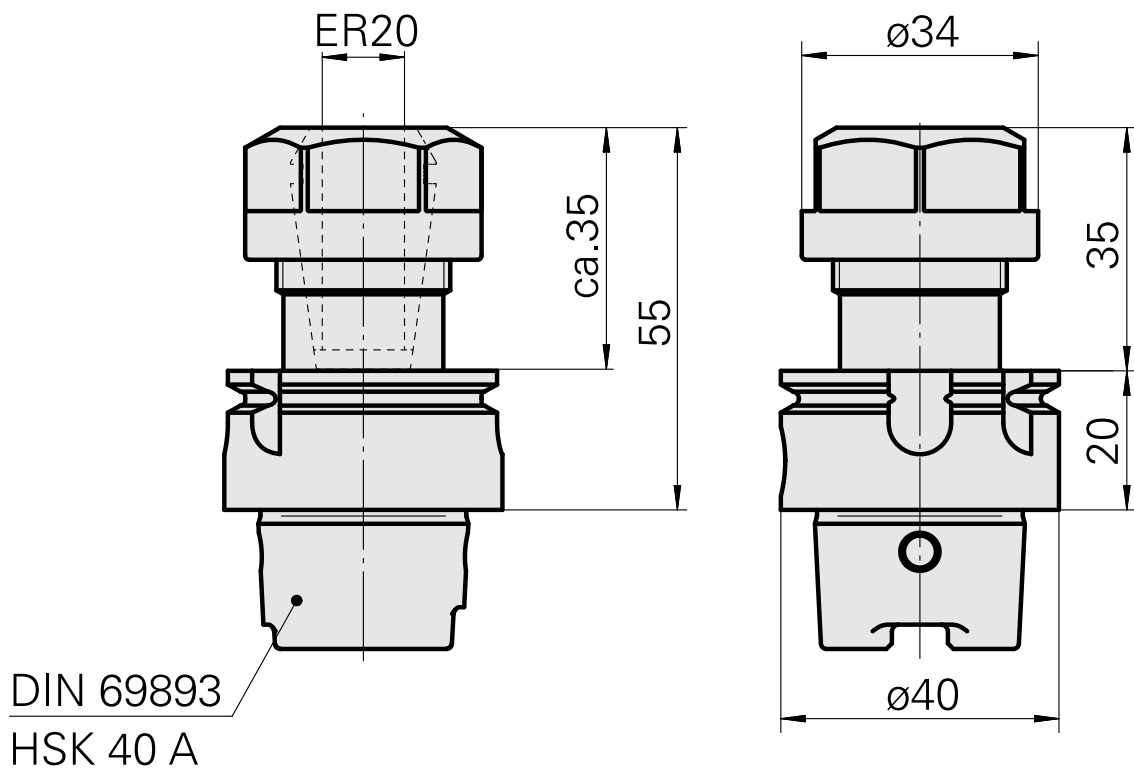


## Drilling tool holder HSK 40 A ER20

### Technical data

Shank HSK	HSK 40
Form HSK	A
Mounting	ER20
Cooling	internal
Pressure	80 bar
X [mm]	55 (2.17")
INDEX TRAUB products	G160 • V100 • G200.2 • G220 • R200 • TNX65/42 • G220.3 • TNX220.3



## Documents

No downloads available for this product

## Accessories

Required for operation

### [Spanner](#)

Product ID : 10603529

Previous product ID : 490219.0201

TH accessories category Tool	Mounting ER20	Collet type ER 20	Clamping nut type Female thread
Tools for Collet chucks Clamping nut wrench			

### [Socket wrench](#)

Product ID : 10532354

Previous product ID : WS7400.0010

TH accessories category Tool for KSS adapter	Mounting HSK 40 A/C
---	------------------------

## Optional accessories

### Tool holder accessories

### [Clamping nut](#)

Product ID : 10137535

Previous product ID : 901939.0201

TH accessories category Clamping nut	Mounting ER20	Collet type ER 20	Clamping nut type Female thread
---	------------------	----------------------	------------------------------------

---

### [Coolant adapter kit](#)

Product ID : 10581780  
Previous product ID : WS7400.0020

TH accessories category Cooling lubricant transfer set	Mounting HSK 40 A/C
---	------------------------

### [Coolant supply, max. 120 bar](#)

Product ID : 12024083  
Previous product ID :

TH accessories category Cooling lubricant transfer set	Mounting HSK 40 A/C
---	------------------------

### **Other accessories**

#### [Clamping collet](#)

Product ID : 10863981  
Previous product ID : 901930.2---

---

#### [tapping tool collet ET-1-20](#)

Product ID : 10418139  
Previous product ID : 3234--

---

#### [Clamping collet, sealed](#)

Product ID : 10919110  
Previous product ID : W999084-

---

#### [Collet chuck](#)

Product ID : 10135002  
Previous product ID : W999066-

---