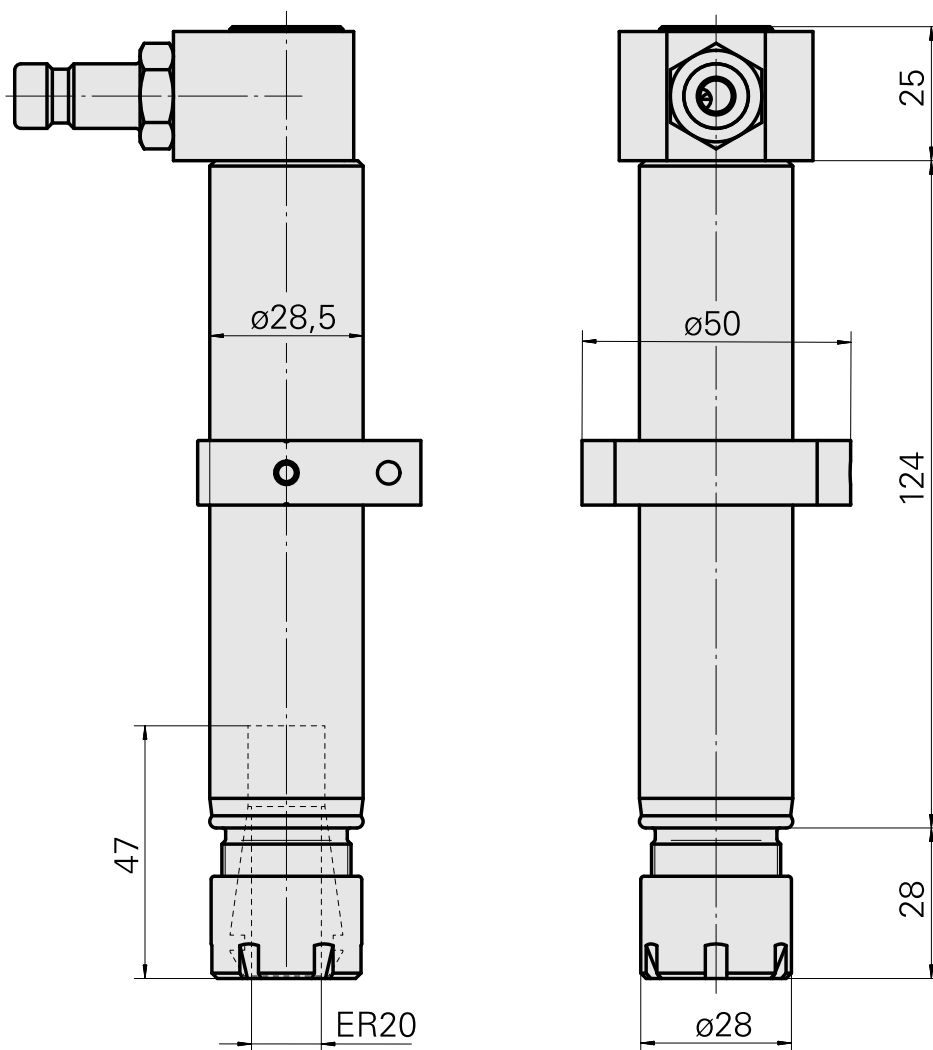
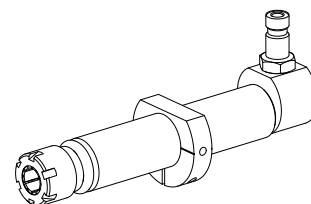


Drilling tool holder ER20

Technical data

Drive	not live
Fixation MS	Clamping ring D28.5
Cooling	internal
Pressure	80 bar
Mounting	ER20
X [mm]	-
Y [mm]	-
Z [mm]	-
INDEX TRAUB products	A100 • MS16-6 • MS22-6 • MS22-8 • MS24-6 • MS16-6 Plus



Documents

No downloads available for this product

Accessories

Required for operation

[Spanner](#)

Product ID : 10195062

Previous product ID : 490219.2201

TH accessories category Tool	Mounting ER20	Collet type ER 20	Clamping nut type Female thread diameter reduced
Tools for Collet chucks Clamping nut wrench			

Optional accessories

Tool holder accessories

[Clamping nut](#)

Product ID : 10435531

Previous product ID : 901939.2201

TH accessories category Clamping nut	Mounting ER20	Collet type ER 20	Clamping nut type Female thread diameter reduced
---	------------------	----------------------	---

Other accessories

[Clamping collet](#)

Product ID : 10863981

Previous product ID : 901930.2---

[tapping tool collet ET-1-20](#)

Product ID : 10418139

Previous product ID : 3234--

[Collet chuck](#)

Product ID : 10135002
Previous product ID : W999066-

[Clamping collet, sealed](#)

Product ID : 10919110
Previous product ID : W999084-

[QUICK COUPLING SP-006-0-WR513-11-2 Serie LP](#)

Product ID : 10837142
Previous product ID : 474940.0112

[QUICK DISCONNECT FITTING SP-006-1-WR013-11 Serie LP](#)

Product ID : 10186287
Previous product ID : 474946.25
