

## Presetting device D80/HSK40

### Technical data

TH accessories category

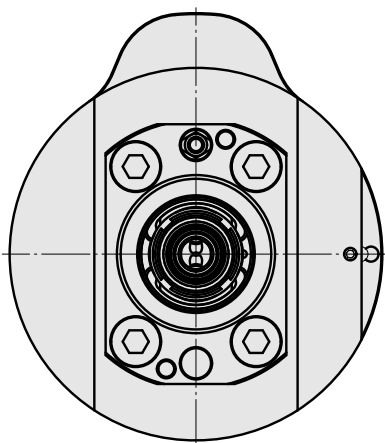
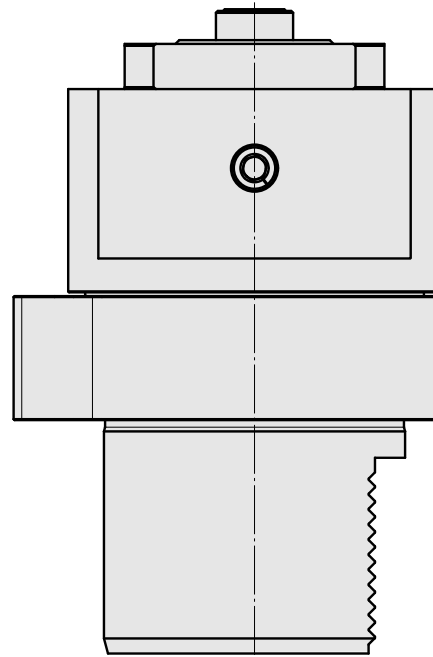
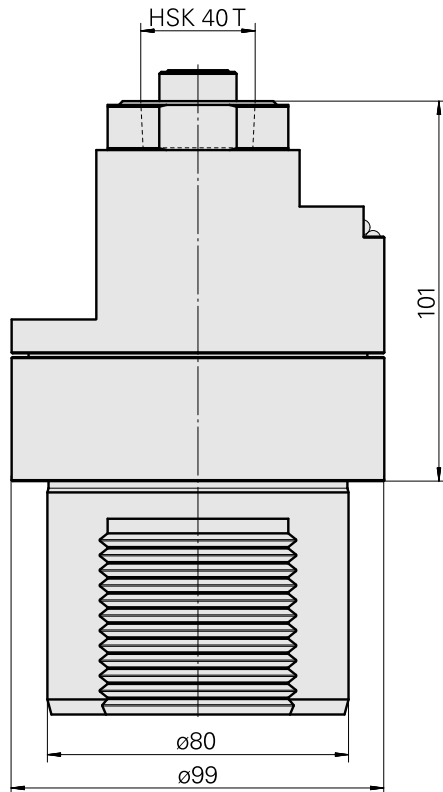
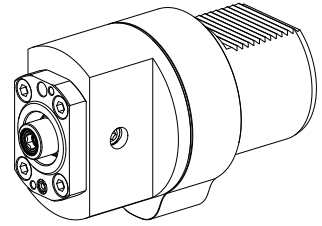
Adapter for presetting units

Mounting

D80 for presetting devices

Tool mounting

HSK 40



## **Documents**

No downloads available for this product