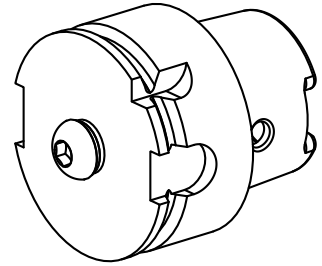


## Blanking plug HSK 40 A

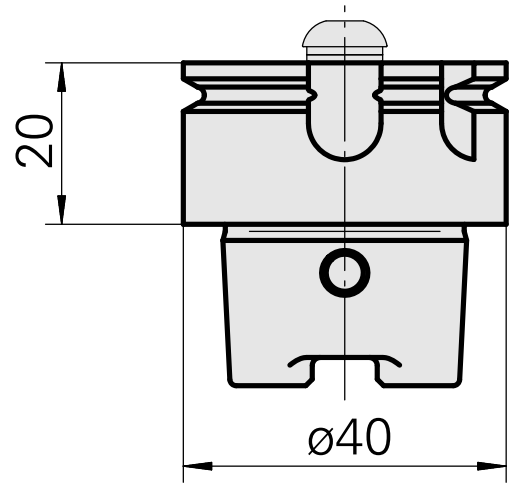
### Technical data

|                      |   |
|----------------------|---|
| Shank HSK            | HSK 40  |
| Form HSK             | A   |
| X [mm]               | 20 (0.79")  |
| INDEX TRAUB products | G160 • V100 • G200.2 • G220 •<br>R200 • G220.3 • TNX220.3 |



### Note

No rotation permitted!



DIN 69893  
HSK 40 A



---

## Documents

No downloads available for this product

## Accessories

### Optional accessories

#### Tool holder accessories

##### [Coolant adapter kit](#)

Product ID : 10581780

Previous product ID : WS7400.0020

TH accessories  
category  
Cooling lubricant  
transfer set

Mounting  
HSK 40 A/C

##### [Socket wrench](#)

Product ID : 10532354

Previous product ID : WS7400.0010

TH accessories  
category  
Tool for KSS adapter

Mounting  
HSK 40 A/C

#### Other accessories

##### [Threaded bolt](#)

Product ID : 10844028

Previous product ID : WS7400.0004

---