

INDEX CAPTO C4 Square 16x16, for turrets on MS machines

Technical data

TH accessories category

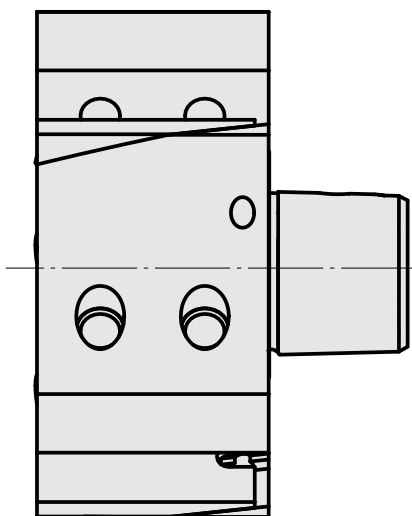
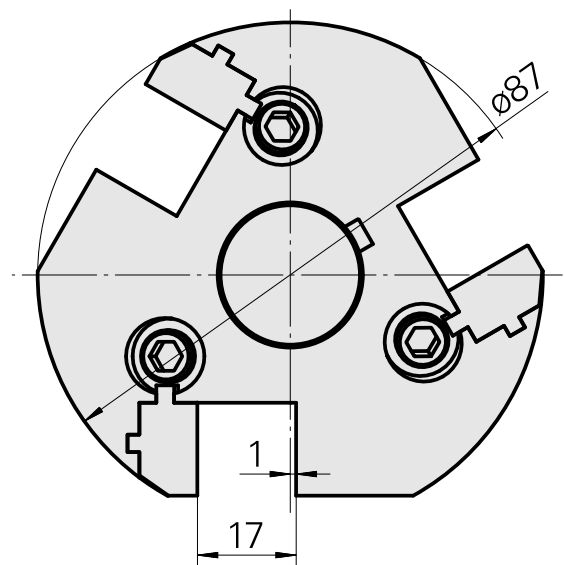
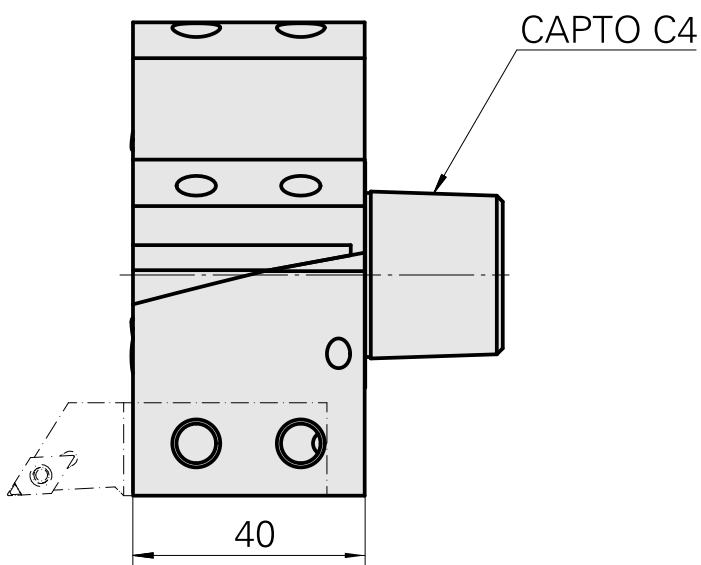
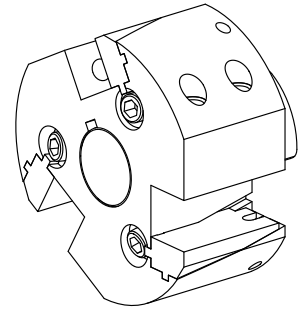
INDEX CAPTO C4

Mounting

Square 16x16

Quick change inserts

Turning tool holder



10421705
W8400000

INDEX

Documents

No downloads available for this product