

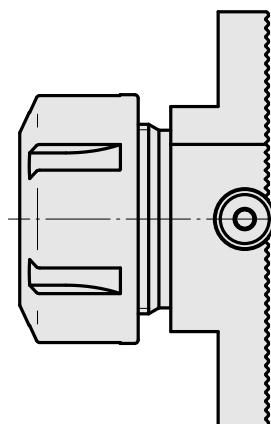
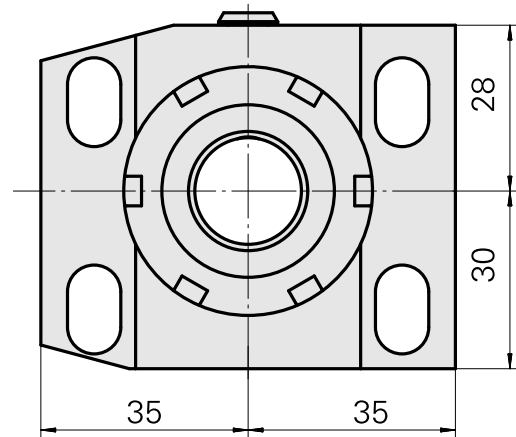
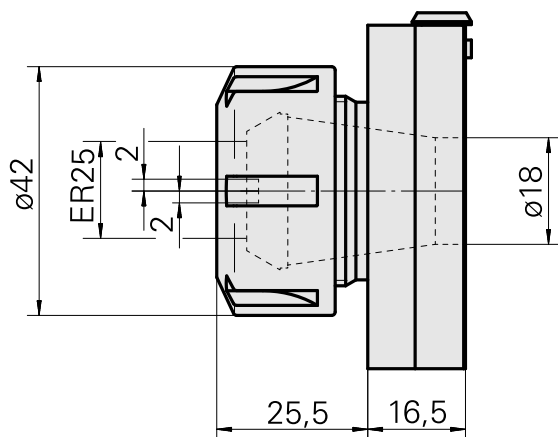
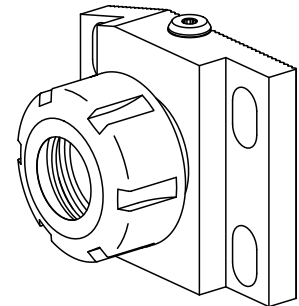
Drill holding block ER25

Technical data

Drive	not live
Cooling	external and internal
Pressure	40 bar
Mounting	ER25
X [mm]	30 (1.18")
Y [mm]	-
Z [mm]	-

INDEX TRAUB products

C42/65 • G160 • G300 • G400 •
TNX80 • V100 • V200 • A200-6 •
ABC • C100 • C200 • G200 • G200.2
• G220 • G250 • TNX65/42 • V160C
• V160G • V300 • TNA300 • B400
• B500 • TNA500.2 • TNA400.2
• ABC.2 • B400.3 • B500.3 •
TNA400.3 • TNA500.3



Documents

No downloads available for this product

Accessories

Required for operation

[Spanner](#)

Product ID : 10802433

Previous product ID : 490219.0251

TH accessories category Tool	Mounting ER25	Collet type ER 25	Clamping nut type Female thread
Tools for Collet chucks Clamping nut wrench			

Optional accessories

Tool holder accessories

[Clamping nut](#)

Product ID : 10193990

Previous product ID : 901939.0251

TH accessories category Clamping nut	Mounting ER25	Collet type ER 25	Clamping nut type Female thread
-----------------------------------------	------------------	----------------------	------------------------------------

Other accessories

[Clamping collet](#)

Product ID : 10206464

Previous product ID : 901930.3---

[tapping tool collet ET-1-25](#)

Product ID : 10191234

Previous product ID : 3224--

10374519
W9990092

INDEX

[tapping tool collet](#)

Product ID : 10256515
Previous product ID : WZ9990.9507F

[Collet chuck](#)

Product ID : 10029756
Previous product ID : W999067-
