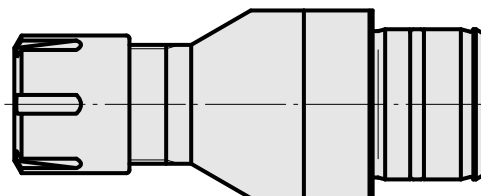
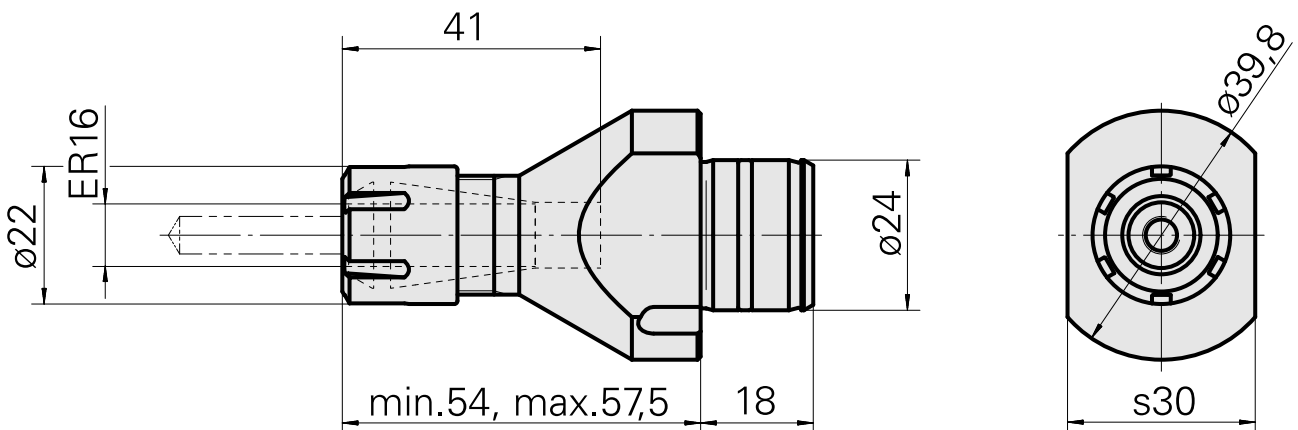


## Mount ER16

### Technical data

Drive	not live
Cooling	internal
Mounting	ER16
Pressure	80 bar
X [mm]	54 (2.13")
Y [mm]	-
Z [mm]	-
INDEX TRAUB products	ABC65 • TNK42/65 • TNL18 • TNL20 • TNL32-11 • TNL32 • TNL32-11 compact • TNL20-11 • TNL32 compact • TNK40.2-10 • TNK40.2-8 • TNL20.2



## Documents

No downloads available for this product

## Accessories

Required for operation

### [Spanner 7111.16000](#)

Product ID : 10621809

Previous product ID : 490219.2161

TH accessories category Tool	Mounting ER16	Collet type ER 16	Clamping nut type Female thread diameter reduced
Tools for Collet chucks Clamping nut wrench			

## Optional accessories

### Tool holder accessories

### [Clamping nut](#)

Product ID : 10178506

Previous product ID : 901939.6161

TH accessories category Clamping nut	Mounting ER16	Collet type ER 16	Clamping nut type Female thread diameter reduced
---	------------------	----------------------	---

### [Clamping nut, for internal cooling lubricant supply](#)

Product ID : 10888980

Previous product ID : W9990347

TH accessories category Clamping nut	Mounting ER16	Collet type ER 16	Clamping nut type Female thread diameter reduced
---	------------------	----------------------	---

### Other accessories

---

[Clamping collet](#)

Product ID : 10834596  
Previous product ID : 901930.1---

---

[Clamping collet](#)

Product ID : 10589709  
Previous product ID : W99903--

---

[tapping tool collet](#)

Product ID : 10865233  
Previous product ID : WZ9990.9506F

---

[tapping tool collet ET-1-16](#)

Product ID : 10542491  
Previous product ID : 3230--

---

[Collet chuck](#)

Product ID : 10870393  
Previous product ID : W999065-

---

[Clamping collet, sealed](#)

Product ID : 10433061  
Previous product ID : W999083-

---

[Sealing washer](#)

Product ID : 10324863  
Previous product ID : W999036-

---