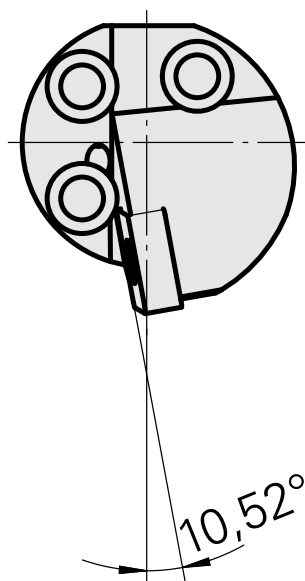
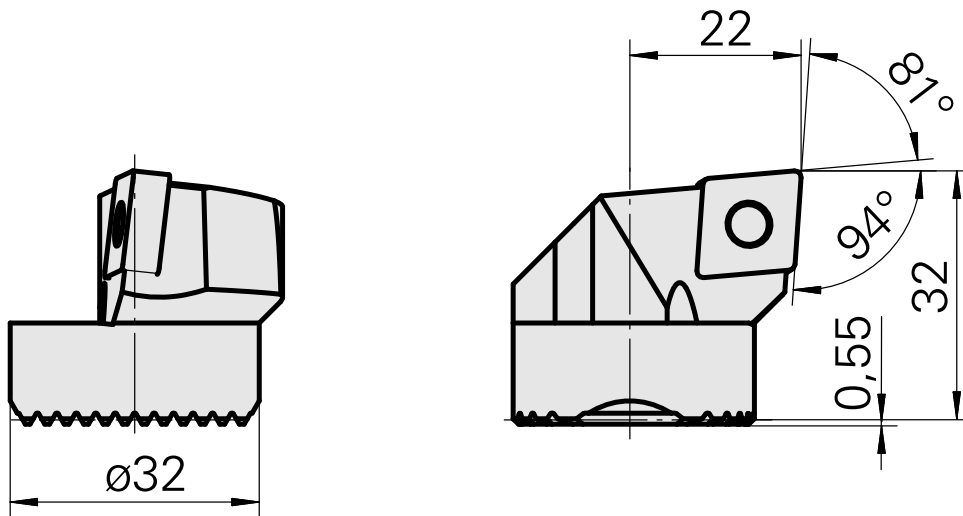
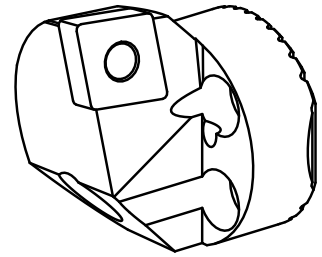


Boring head for CN.. 1204..

Technical data

Mounting	for CN.. 1204..
Cooling	internal
Pressure	50 bar
X [mm]	32 (1.26")
Z [mm]	22 (0.87)
INDEX TRAUB products	G220.3 • R200 • TNX65/42 • TNX220.3



Documents

No downloads available for this product

Accessories

Optional accessories

Other accessories

[Spare parts 315003](#)

Product ID : 10919485

Previous product ID : W00014.0016
