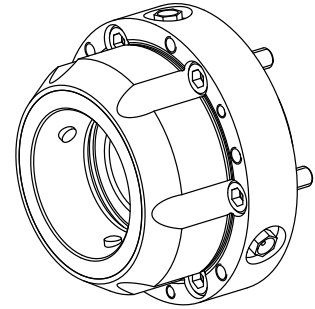


## Chuck

### Technical data

<b>INDEX TRAUB products</b>	MS16-6 Plus
<b>Spindle clearance</b>	22mm
<b>Machining side</b>	Synchronous spindle
<b>Ext. manufact. product feature</b>	Kombi Axfix
<b>manufacturer product line</b>	SPANNTOP nova chuck
<b>Spindle mounting</b>	AP63
<b>Clamping device size</b>	SK9022
<b>manufacturer product line</b>	Hainbuch



No 3-side view is currently available for this product

## Documents

No downloads available for this product

## Accessories

### Optional accessories

#### Collets and guide bushings

##### [Clamping head SK9022 D=5,00mm](#)

Product ID : 10357249

Previous product ID : 900423.G050

Clamping device size SK9022	manufacturer product line SPANNTOP nova chuck	Clamping type smooth	Nominal diameter (mm) 5 Millimeter
Clamping method External clamping	Clamping head front nose without	manufacturer product line Hainbuch	

##### [Clamping head SK9022 D=6,00mm](#)

Product ID : 11042319

Previous product ID : 900423.G060

Clamping device size SK9022	manufacturer product line SPANNTOP nova chuck	Clamping type smooth	Nominal diameter (mm) 6 Millimeter
Clamping method External clamping	Clamping head front nose without	manufacturer product line Hainbuch	

##### [Clamping head SK9022 D=7,00mm](#)

Product ID : 10804208

Previous product ID : 900423.G070

Clamping device size SK9022	manufacturer product line SPANNTOP nova chuck	Clamping type smooth	Nominal diameter (mm) 7 Millimeter
Clamping method External clamping	Clamping head front nose without	manufacturer product line Hainbuch	

### Clamping head SK9022 D=8,00mm

Product ID : 10501597

Previous product ID : 900423.G080

Clamping device size SK9022	manufacturer product line SPANNTOP nova chuck	Clamping type smooth	Nominal diameter (mm) 8 Millimeter
Clamping method External clamping	Clamping head front nose without	manufacturer product line Hainbuch	

### Clamping head SK9022 D=10,00mm

Product ID : 10527236

Previous product ID : 900423.G100

Clamping device size SK9022	manufacturer product line SPANNTOP nova chuck	Clamping type smooth	Nominal diameter (mm) 10 Millimeter
Clamping method External clamping	Clamping head front nose without	manufacturer product line Hainbuch	

### Clamping head SK9022 D=11,00mm

Product ID : 10567456

Previous product ID : 900423.G110

Clamping device size SK9022	manufacturer product line SPANNTOP nova chuck	Clamping type smooth	Nominal diameter (mm) 11 Millimeter
Clamping method External clamping	Clamping head front nose without	manufacturer product line Hainbuch	

### Clamping head

Product ID : 10926611

Previous product ID : 900423.G120

Clamping device size SK9022	manufacturer product line SPANNTOP nova chuck	Clamping type smooth	Nominal diameter (mm) 12 Millimeter
Clamping method External clamping	Clamping head front nose without	manufacturer product line Hainbuch	

### Clamping head SK9022 D=13,00mm

Product ID : 10512505

Previous product ID : 900423.G130

Clamping device size SK9022	manufacturer product line SPANNTOP nova chuck	Clamping type smooth	Nominal diameter (mm) 13 Millimeter
Clamping method External clamping	Clamping head front nose without	manufacturer product line Hainbuch	

### Clamping head SK9022 D=14,00mm

Product ID : 10523956

Previous product ID : 900423.G140

Clamping device size SK9022	manufacturer product line SPANNTOP nova chuck	Clamping type smooth	Nominal diameter (mm) 14 Millimeter
Clamping method External clamping	Clamping head front nose without	manufacturer product line Hainbuch	

### Clamping head SK9022 D=15,00mm

Product ID : 10149966

Previous product ID : 900423.G150

Clamping device size SK9022	manufacturer product line SPANNTOP nova chuck	Clamping type smooth	Nominal diameter (mm) 15 Millimeter
Clamping method External clamping	Clamping head front nose without	manufacturer product line Hainbuch	

### Clamping head SK9022 D=16,00mm

Product ID : 10088268

Previous product ID : 900423.G160

Clamping device size SK9022	manufacturer product line SPANNTOP nova chuck	Clamping type smooth	Nominal diameter (mm) 16 Millimeter
Clamping method External clamping	Clamping head front nose without	manufacturer product line Hainbuch	

### Clamping head SK9022 D=17,00mm

Product ID : 10477640

Previous product ID : 900423.G170

Clamping device size SK9022	manufacturer product line SPANNTOP nova chuck	Clamping type smooth	Nominal diameter (mm) 17 Millimeter
Clamping method External clamping	Clamping head front nose without	manufacturer product line Hainbuch	

### Clamping head SK9022 D=18,00mm

Product ID : 10241379

Previous product ID : 900423.G180

Clamping device size SK9022	manufacturer product line SPANNTOP nova chuck	Clamping type smooth	Nominal diameter (mm) 18 Millimeter
Clamping method External clamping	Clamping head front nose without	manufacturer product line Hainbuch	

### Clamping head SK9022 D=9,00mm

Product ID : 10402836

Previous product ID : 900423.G090

Clamping device size SK9022	manufacturer product line SPANNTOP nova chuck	Clamping type smooth	Nominal diameter (mm) 19 Millimeter
Clamping method External clamping	Clamping head front nose without	manufacturer product line Hainbuch	

### Clamping head SK9022 D=19,00mm

Product ID : 10233476

Previous product ID : 900423.G190

Clamping device size SK9022	manufacturer product line SPANNTOP nova chuck	Clamping type smooth	Nominal diameter (mm) 19 Millimeter
Clamping method External clamping	Clamping head front nose without	manufacturer product line Hainbuch	

---

### Clamping head SK9022 D=20,00mm

Product ID : 10480551

Previous product ID : 900423.G200

Clamping device size SK9022	manufacturer product line SPANNTOP nova chuck	Clamping type smooth	Nominal diameter (mm) 20 Millimeter
Clamping method External clamping	Clamping head front nose without	manufacturer product line Hainbuch	

### Clamping head SK9022 D=21,00mm

Product ID : 10875104

Previous product ID : 900423.G210

Clamping device size SK9022	manufacturer product line SPANNTOP nova chuck	Clamping type smooth	Nominal diameter (mm) 21 Millimeter
Clamping method External clamping	Clamping head front nose without	manufacturer product line Hainbuch	

### Clamping head

Product ID : 10353682

Previous product ID : 900423.G220

Clamping device size SK9022	manufacturer product line SPANNTOP nova chuck	Clamping type smooth	Nominal diameter (mm) 22 Millimeter
Clamping method External clamping	Clamping head front nose without	manufacturer product line Hainbuch	

### **Spindle liners**

### Socket head screw

Product ID : 10157066

Previous product ID : 410260.0620

---

### **Other accessories**

Fixture

Product ID : 10446800

Previous product ID : 900418.8201

Clamping device size SK9022	manufacturer product line SPANNTOP nova chuck	Clamping method External clamping	manufacturer product line Hainbuch
--------------------------------	---	--------------------------------------	--

ASSEMBLY TOOL EAW9022ZW

Product ID : 10181964

Previous product ID : 900418.8903

Clamping device size SK9022	manufacturer product line SPANNTOP nova chuck	Clamping method External clamping	manufacturer product line Hainbuch
--------------------------------	---	--------------------------------------	--

HAINBUCH GREASE 2085/0003

Product ID : 10825733

Previous product ID : 373241.1021

manufacturer product line SPANNTOP nova chuck • SPANNTOP mini chuck • TOPlus chuck • TOPlus chuck mini • TOPlus chuck with end-stop	Clamping method External clamping	manufacturer product line Hainbuch
--	--------------------------------------	--