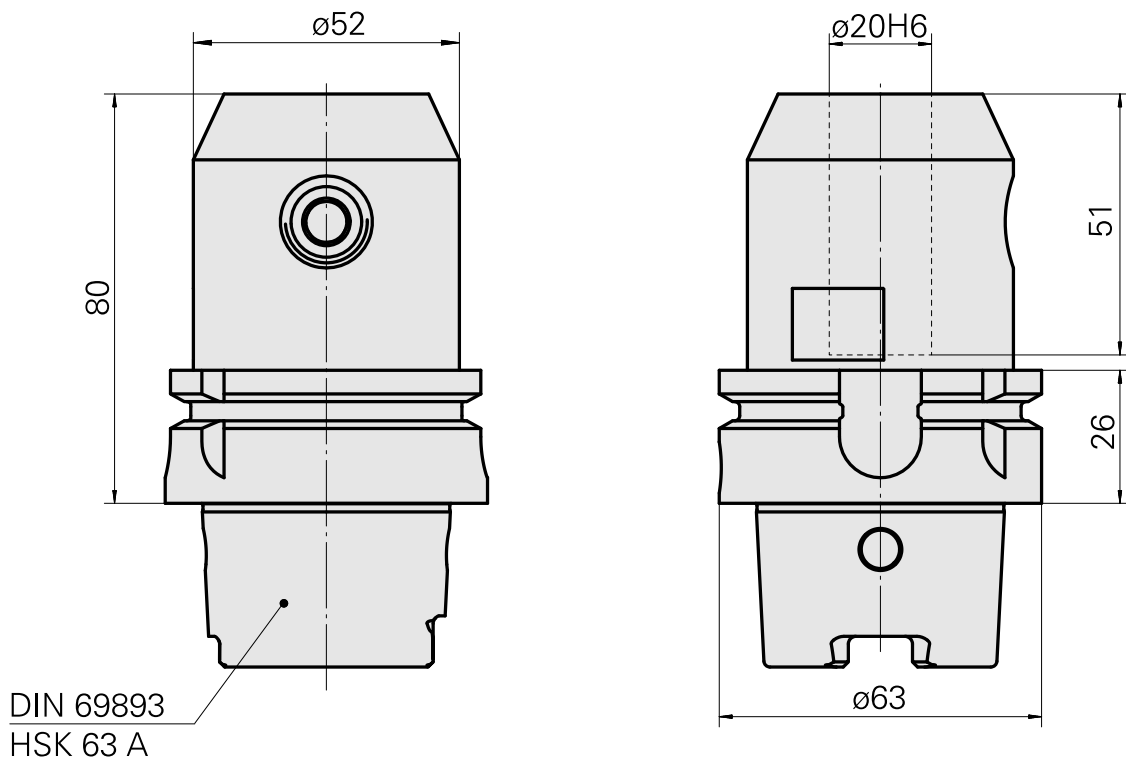
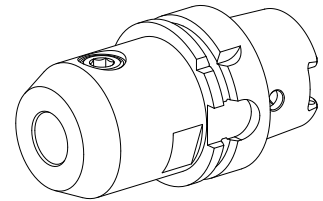


## Drilling tool holder HSK 63 A D20 (0.79)

### Technical data

Shank HSK	HSK 63
Form HSK	A
Mounting	D20
Cooling	internal
Pressure	80 bar
X [mm]	80 (3.15")
INDEX TRAUB products	R300 • G420 • G520 • G320.2 • G220.3 • TNX220.3 • G320.3 compact • G220 • G220.2



---

## Documents

No downloads available for this product

## Accessories

Required for operation

### [Socket wrench](#)

Product ID : 10352082

Previous product ID : WS7800.0010

TH accessories  
category  
Tool for KSS adapter

Mounting  
HSK 63 A/C

Optional accessories

### Tool holder accessories

### [Coolant adapter kit HSK-A63](#)

Product ID : 11074450

Previous product ID : WS7800.0020

TH accessories  
category  
Cooling lubricant  
transfer set

Mounting  
HSK 63 A/C

### [Coolant adapter kit HSK63, max. 120 bar](#)

Product ID : 12024087

Previous product ID :

TH accessories  
category  
Cooling lubricant  
transfer set

Mounting  
HSK 63 A/C

### Other accessories

### [Mounting sleeve with collar D20](#)

Product ID : 10063939

Previous product ID : W68510.04--

10336873  
W2500054

**INDEX**

---

Grub screw Wohlhaupter-Nr. 115685, 2 Stck

Product ID : 10185229

Previous product ID : 000001.1380C

---

Ball-Ended Thrust Screws

Product ID : 10767027

Previous product ID : W00013.0045

---