

Saw blade, circular saw blade width 1 mm (0.039")

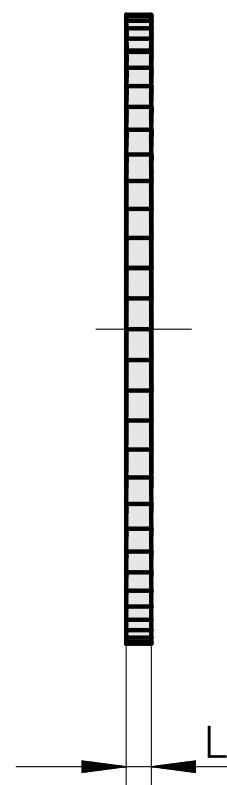
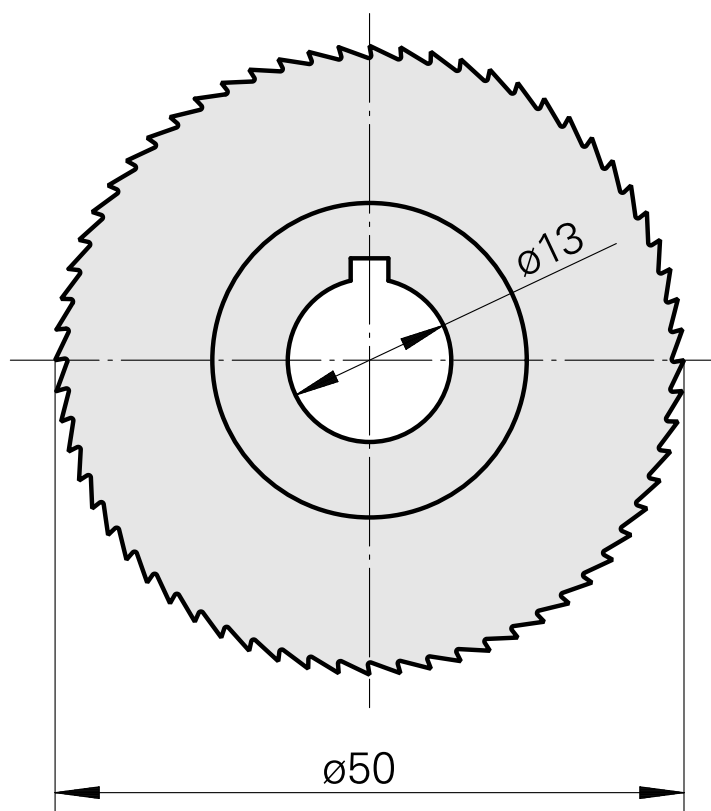
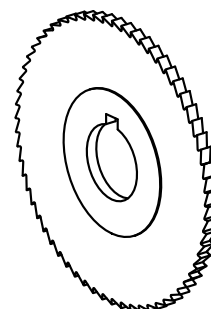
Technical data

TH accessories category

Circular saw blade d50

Tool mounting

13mm



10262217
223010.5010

INDEX

Documents

No downloads available for this product