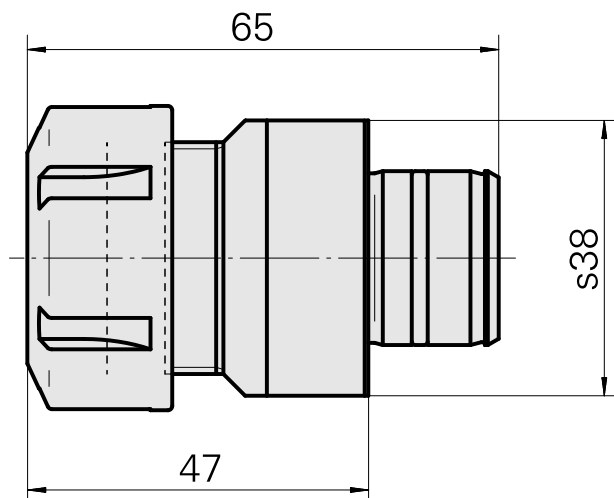
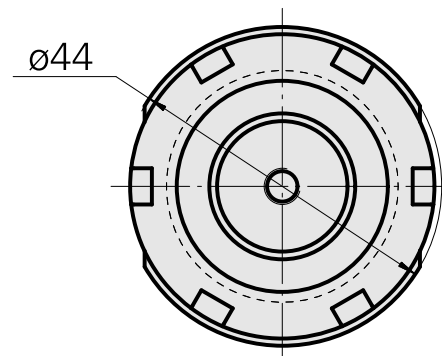
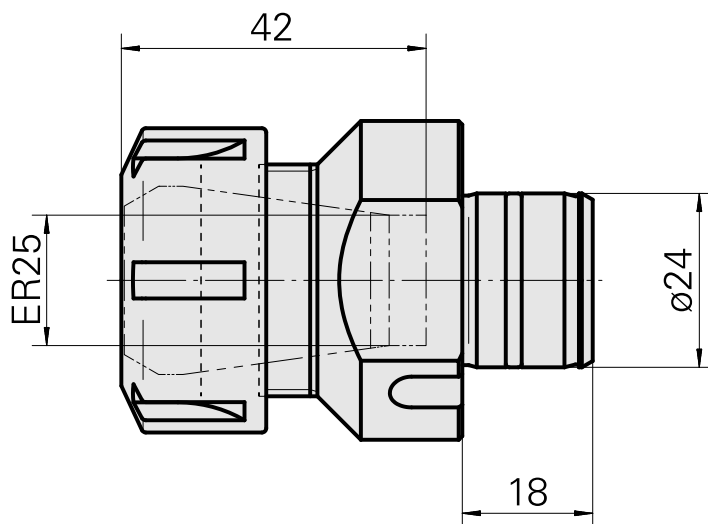
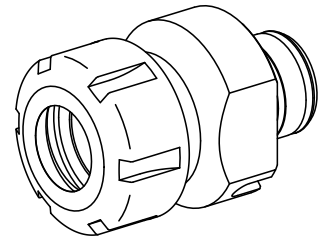


Mount ER25

Technical data

| | |
|----------------------|--|
| Drive | not live |
| Cooling | internal |
| Mounting | ER25 |
| Pressure | 80 bar |
| X [mm] | 47 (1.85") |
| Y [mm] | - |
| Z [mm] | - |
| INDEX TRAUB products | ABC65 • TNK42/65 • TNL18 • TNL20 • TNL32-11 • TNL32 • TNL32-11 compact • TNL20-11 • TNL32 compact • TNK40.2-10 • TNL20.2 • TNK40.2 |



Documents

No downloads available for this product

Accessories

Required for operation

[Spanner](#)

Product ID : 10802433

Previous product ID : 490219.0251

| | | | |
|--|------------------|----------------------|------------------------------------|
| TH accessories category Tool | Mounting ER25 | Collet type ER 25 | Clamping nut type Female thread |
| Tools for Collet chucks Clamping nut wrench | | | |

Optional accessories

Tool holder accessories

[Clamping nut](#)

Product ID : 10193990

Previous product ID : 901939.0251

| | | | |
|---|------------------|----------------------|------------------------------------|
| TH accessories category Clamping nut | Mounting ER25 | Collet type ER 25 | Clamping nut type Female thread |
|---|------------------|----------------------|------------------------------------|

Other accessories

[Clamping collet](#)

Product ID : 10206464

Previous product ID : 901930.3---

[tapping tool collet ET-1-25](#)

Product ID : 10191234

Previous product ID : 3224--

[tapping tool collet](#)

Product ID : 10256515
Previous product ID : WZ9990.9507F

[Collet chuck](#)

Product ID : 10029756
Previous product ID : W999067-

[Clamping collet, sealed](#)

Product ID : 10698406
Previous product ID : W999085-
