

Adapter mounting aid VDI 25

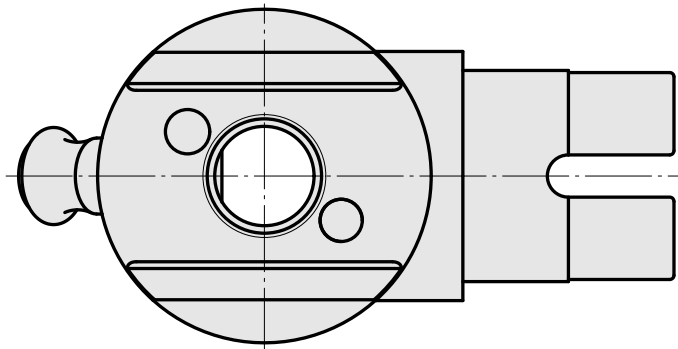
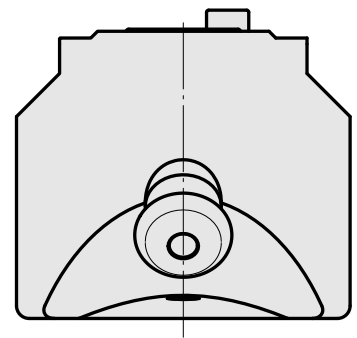
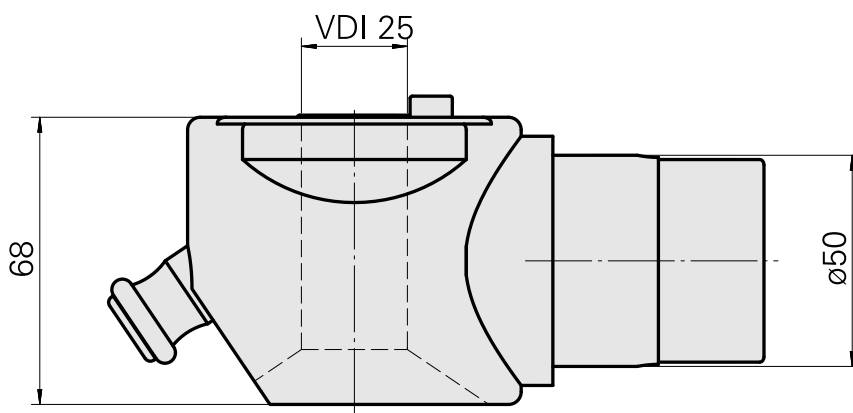
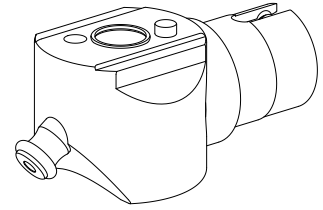
Technical data

TH accessories category

Adapter mounting aid

Tool mounting

VDI 25



10192955
W9990523

INDEX

Documents

No downloads available for this product