

## Clamping nut

### Technical data

TH accessories category

Clamping nut

Mounting

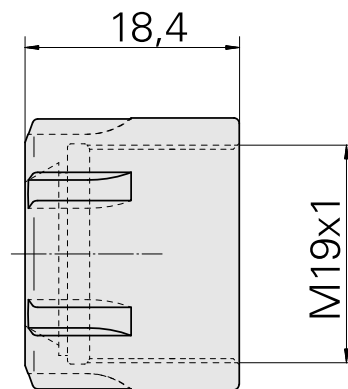
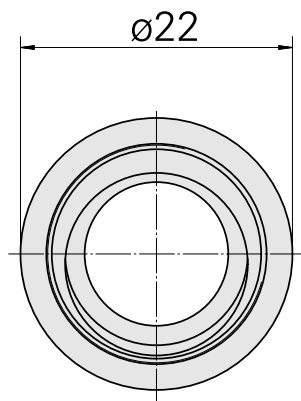
ER16

Collet type

ER 16

Clamping nut type

Female thread diameter reduced



10178506  
901939.6161

**INDEX**

---

## **Documents**

No downloads available for this product