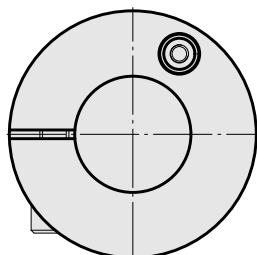
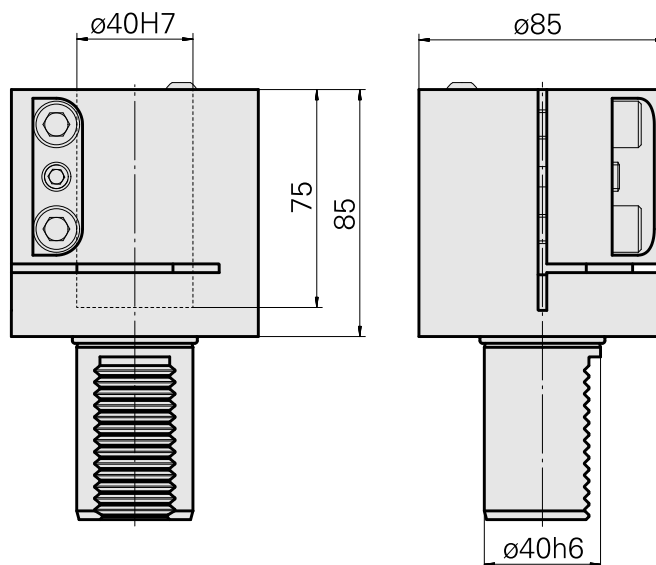
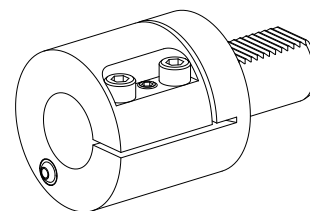


## Drilling tool holder VDI 40 D40

### Technical data

|                      |   |
|----------------------|---|
| Shank VDI            | VDI 40  |
| Drive                | not live  |
| Fixation VDI         | none  |
| Cooling              | external  |
| Pressure             | 20 bar  |
| Mounting             | D40   |
| reversible 180°      | no  |
| X [mm]               | 85 (3.35")  |
| Y [mm]               | –   |
| Z [mm]               | –   |
| INDEX TRAUB products | V200 • V160C • V160G • V300 •<br>TNA400 • B400 • B500 • TNA500.2<br>• TNA400.2 • TNA400.3 • B400.3 •<br>B500.3 • TNA500.3 |



## Documents

No downloads available for this product

## Accessories

Optional accessories

### Other accessories

#### [Mounting sleeve D40 2x holes](#)

Product ID : 10159790

Previous product ID : W64220.02--

---

#### [Mounting sleeve D40 3x holes](#)

Product ID : 10789882

Previous product ID : W64221.14--

---

#### [SPRAY NOZZLE 14D/M6](#)

Product ID : 10358770

Previous product ID : 474550.0121

---