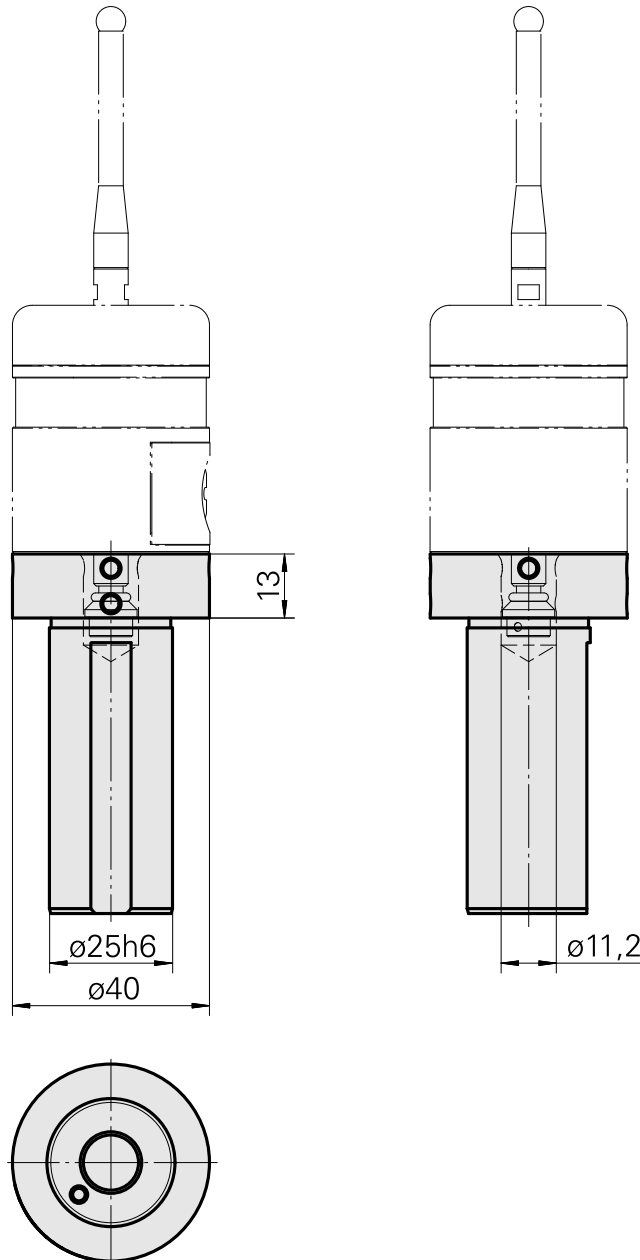
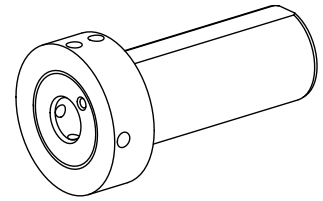


Mount

Technical data

| | |
|-------------------------|------------------|
| TH accessories category | Probe holder |
| Mounting | D25 |
| Tool mounting | Renishaw D11,2 |
| Electrical assemblies | Measuring system |



Documents

No downloads available for this product

Accessories

Required for operation

Not defined

Product ID : 12133465

Previous product ID :

Push-button insert

Product ID : 12133466

Previous product ID :

Probe

Product ID : 10338967

Previous product ID : 487542.1441

Optional accessories

Other accessories

Case A-2033-7001

Product ID : 10259626

Previous product ID : 487542.0911
