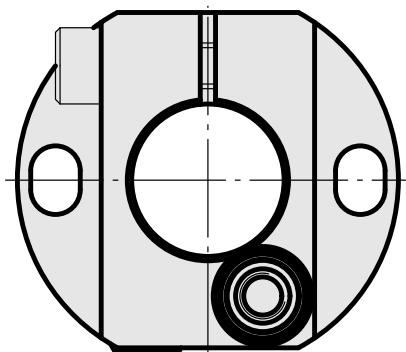
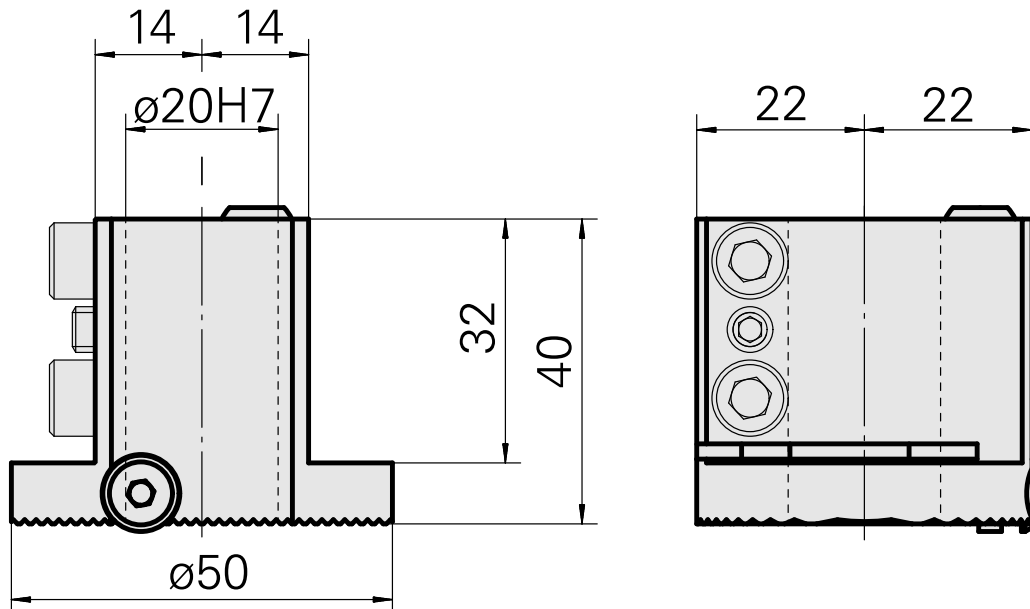
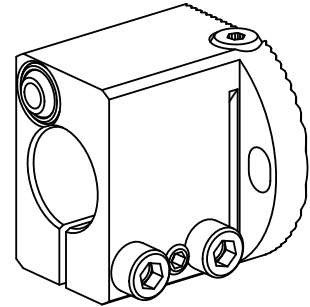


## Drill holding block D20 (0.79 ")

### Technical data

<b>Drive</b>	not live
<b>Cooling</b>	external
<b>Pressure</b>	20 bar
<b>Mounting</b>	D20
<b>X [mm]</b>	40 (1.57")
<b>Y [mm]</b>	-
<b>Z [mm]</b>	-
<b>INDEX TRAUB products</b>	C42/65 • G160 • G300 • A200-6 • ABC • C100 • C200 • G200 • G200.2 • G220 • G250 • ABC.2



## Documents

No downloads available for this product

## Accessories

Optional accessories

### Other accessories

#### [Mounting sleeve D20](#)

Product ID : 10994732

Previous product ID : W62220.01--

---

#### [BALL SPRAY NOZZLE 12D/M6](#)

Product ID : 10602750

Previous product ID : 474550.0101

---