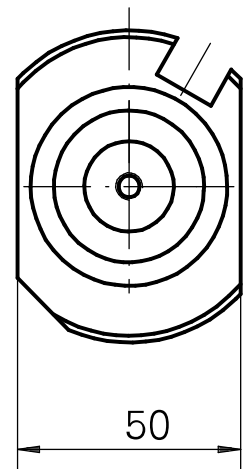
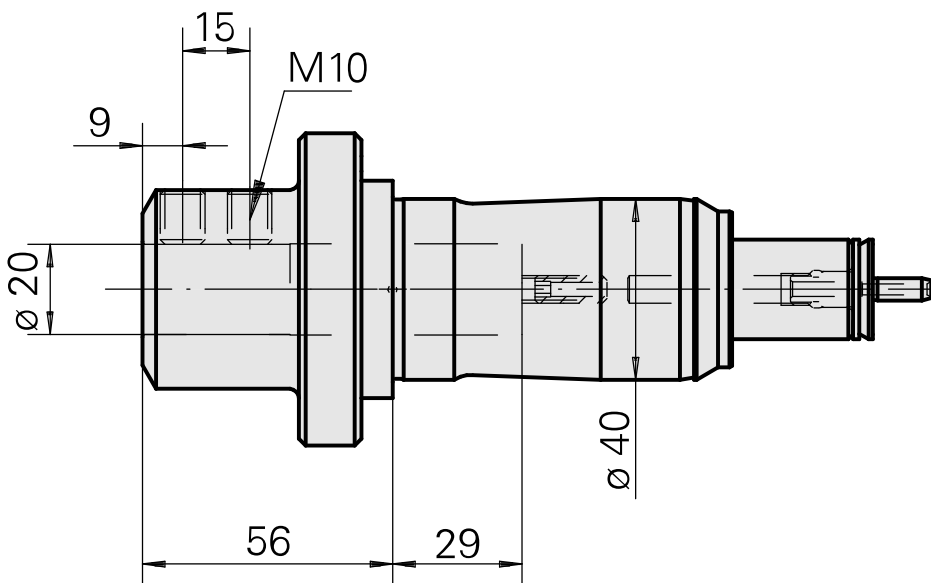
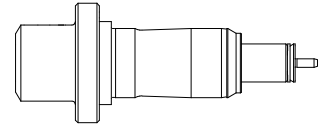


Drilling tool holder Shank 40 D20 (0.79)

Technical data

| | |
|-----------------------------|---------------|
| Shank TNL | Shank 40 |
| Drive | not live |
| Cooling | internal |
| Pressure | 120 bar |
| Mounting | D20 |
| INDEX TRAUB products | TNK36 • TNL26 |



10050392
984511

INDEX

Documents

No downloads available for this product