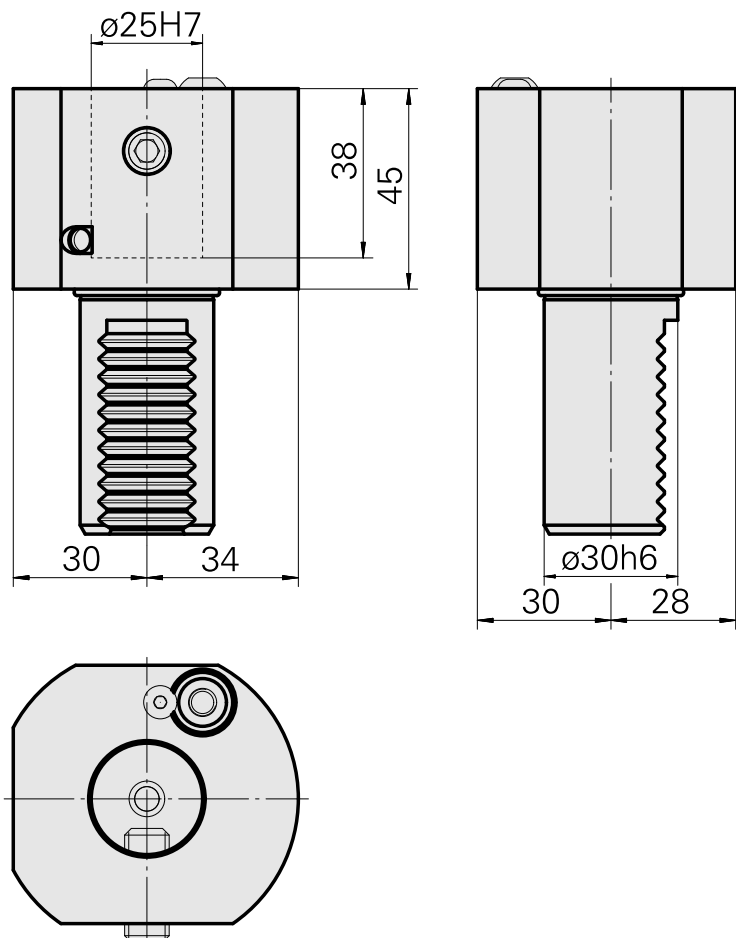
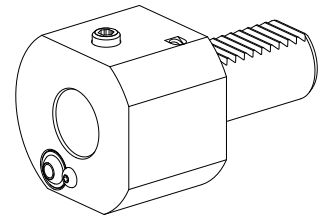


Drilling tool holder VDI 30 D25

Technical data

Shank VDI	VDI 30
Drive	not live
Fixation VDI	none
Cooling	external and internal
Pressure	40 bar
Mounting	D25
reversible 180°	no
Data carrier	check tool station bore
X [mm]	45 (1.77")
Y [mm]	-
Z [mm]	-
INDEX TRAUB products	V100 • V200 • V160C • V160G • V300 • TNA300



Documents

No downloads available for this product

Accessories

Optional accessories

Other accessories

[Clamping sleeve D25](#)

Product ID : 10877092

Previous product ID : 993125.----

[Mounting sleeve with collar D25](#)

Product ID : 10070544

Previous product ID : W62221.41--

[SPRAY NOZZLE 14D/M6](#)

Product ID : 10358770

Previous product ID : 474550.0121

[Lens head screw](#)

Product ID : 10344546

Previous product ID : 410243.0406
