

## Guide bush T223 Ø=10,00

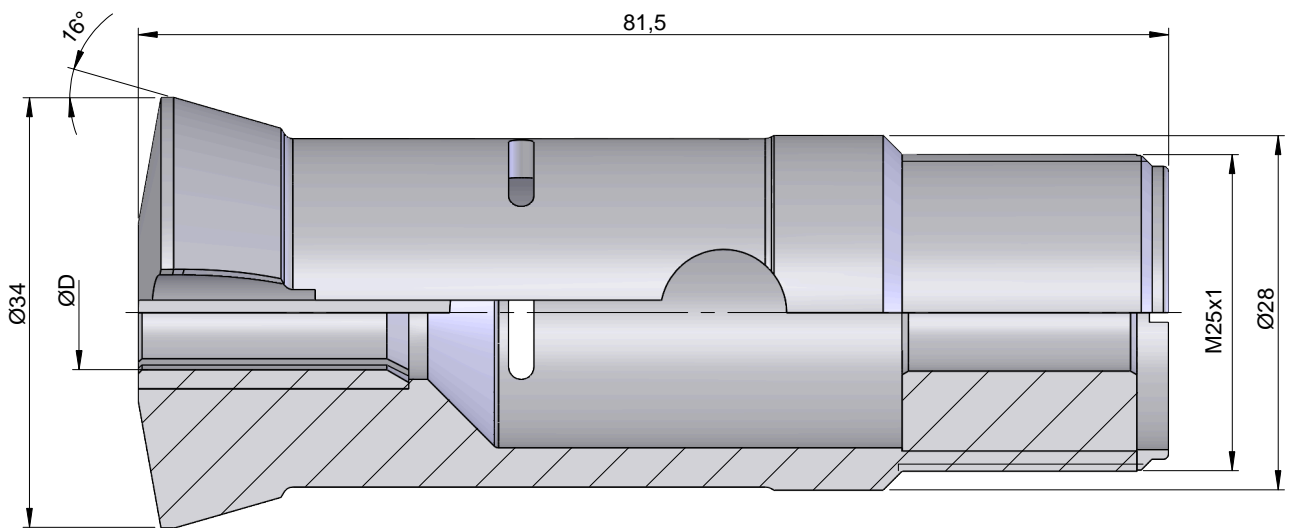
### Technical data

<b>Clamping device size</b>	T223 deadlength
<b>Ext. manufacturer product line</b>	
<b>Clamping type</b>	with carbide insert
<b>Nominal diameter (mm)</b>	10 Millimeter
<b>Clamping method</b>	External clamping
<b>Collet design</b>	programmable (Axfix)
<b>Collet version</b>	Slots vulcanized (standard)
<b>Ext. manufacturer product line</b>	Schlenker



### Note

with bushing



## **Documents**

No downloads available for this product