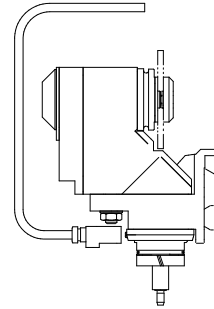

Polygon turning unit Circular prism 2:1, $\pm 15^\circ$

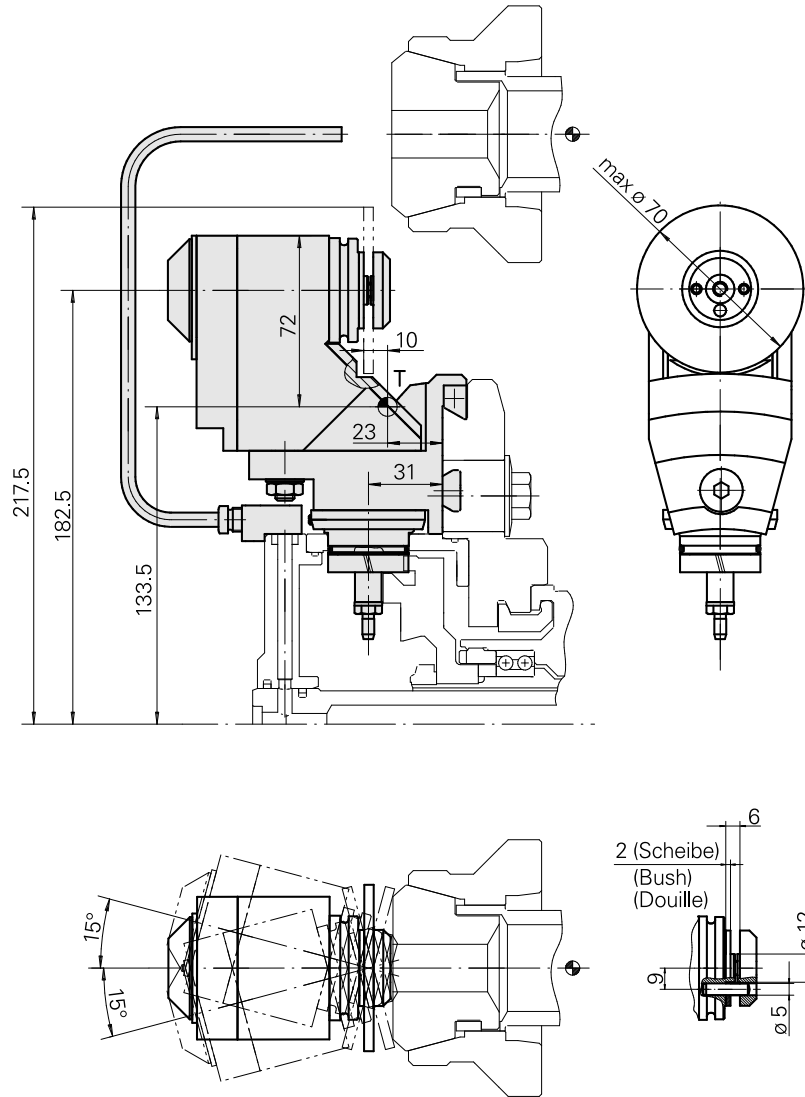
Technical data

| | |
|-----------------------------|--------------------------|
| Shank TNL | Circular prism |
| Drive | Overall drive |
| Fixation TNL | Central tensioning screw |
| Speed ratio | 2:1 |
| Cooling | external |
| Pressure | 30 bar |
| Mounting | D12 |
| INDEX TRAUB products | TNK36 • TNL26 |



Note

Can only be used on turrets with an X axis!



Documents

No downloads available for this product