

WFB 20-12 ER8

Technical data

TH accessories category

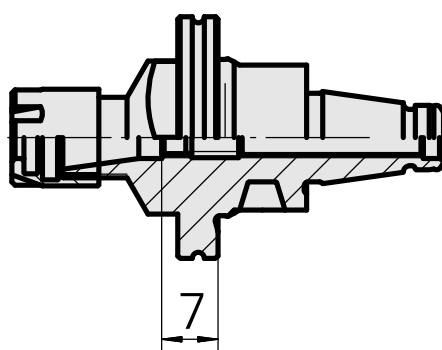
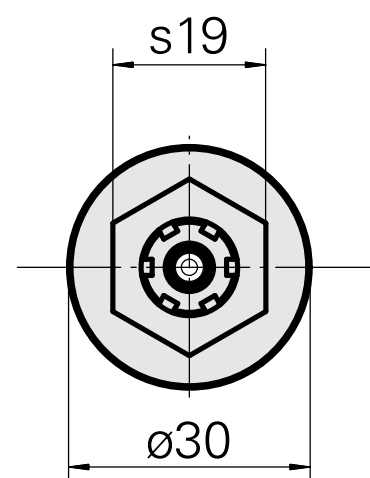
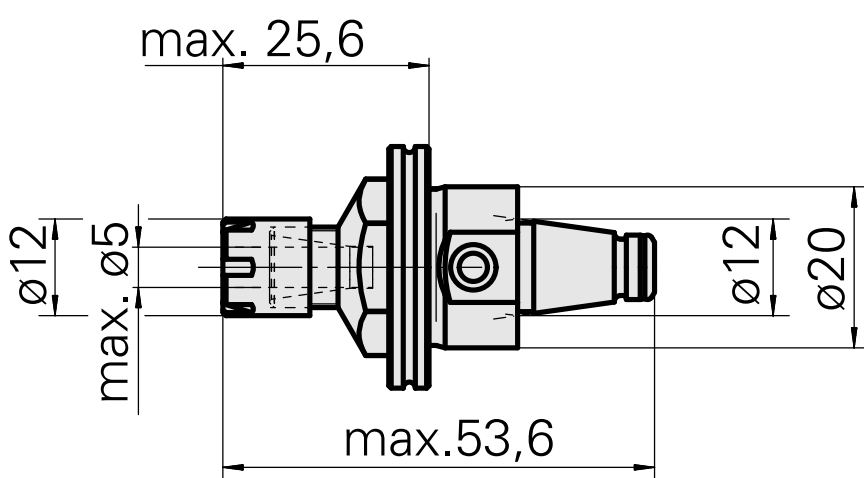
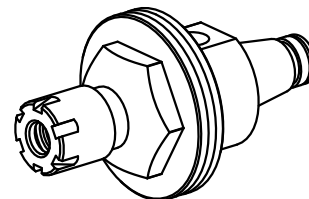
WFB 20-12

Mounting

ER8

Quick change inserts

collet mounting



Documents

No downloads available for this product

Accessories

Required for operation

[Spanner](#)

Product ID : 11077222

Previous product ID : 323118

TH accessories category Tool	Mounting ER8	Collet type ER 8	Clamping nut type Female thread diameter reduced
Tools for Collet chucks Clamping nut wrench			

Optional accessories

Tool holder accessories

[Clamping nut](#)

Product ID : 10490215

Previous product ID : 323117

TH accessories category Clamping nut	Mounting ER8	Collet type ER 8	Clamping nut type Female thread diameter reduced
-----------------------------------------	-----------------	---------------------	-----------------------------------------------------

Other accessories

[Clamping collet](#)

Product ID : 10719579

Previous product ID : 901930.8---

[Adjusting screw M 5x10](#)

Product ID : 10674886

Previous product ID : 326793
