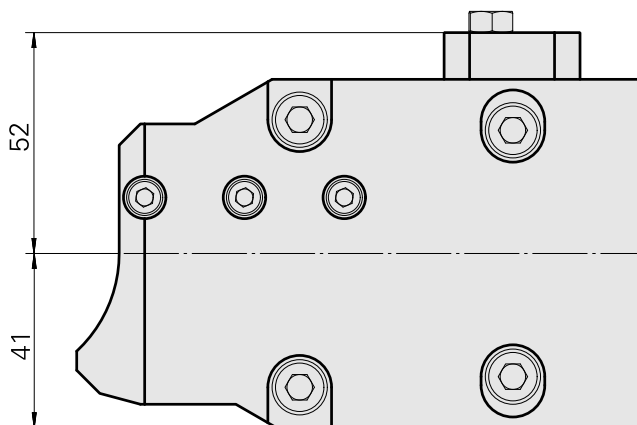
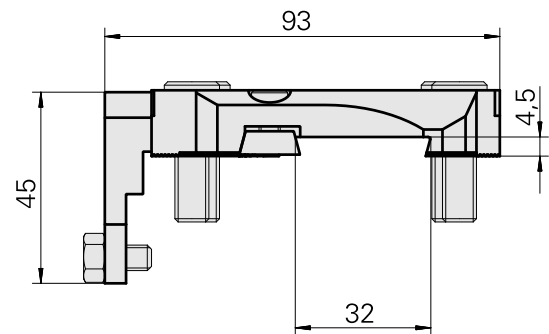
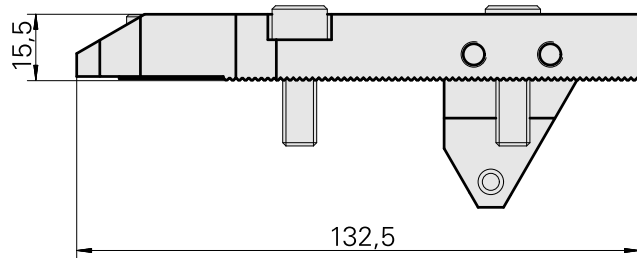
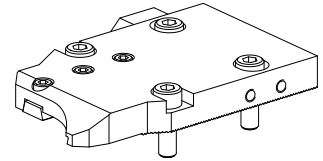


## Grooving tool holding block Trapezoid 32

### Technical data

|                             |                  |
|-----------------------------|------------------|
| <b>Drive</b>                | not live         |
| <b>Direction</b>            | left-handed run  |
| <b>Mounting</b>             | Trapezoid 32x4   |
| <b>X [mm]</b>               | 132.5 (5.22")    |
| <b>Y [mm]</b>               | –                |
| <b>Z [mm]</b>               | 15.5 (0.61)      |
| <b>INDEX TRAUB products</b> | MS52C • MS52-6.3 |



## **Documents**

No downloads available for this product