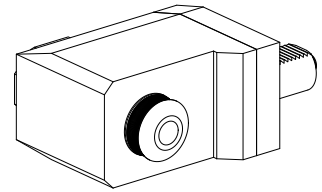


## Milling unit VDI 40 2,88:1 DIN 1835 E D2

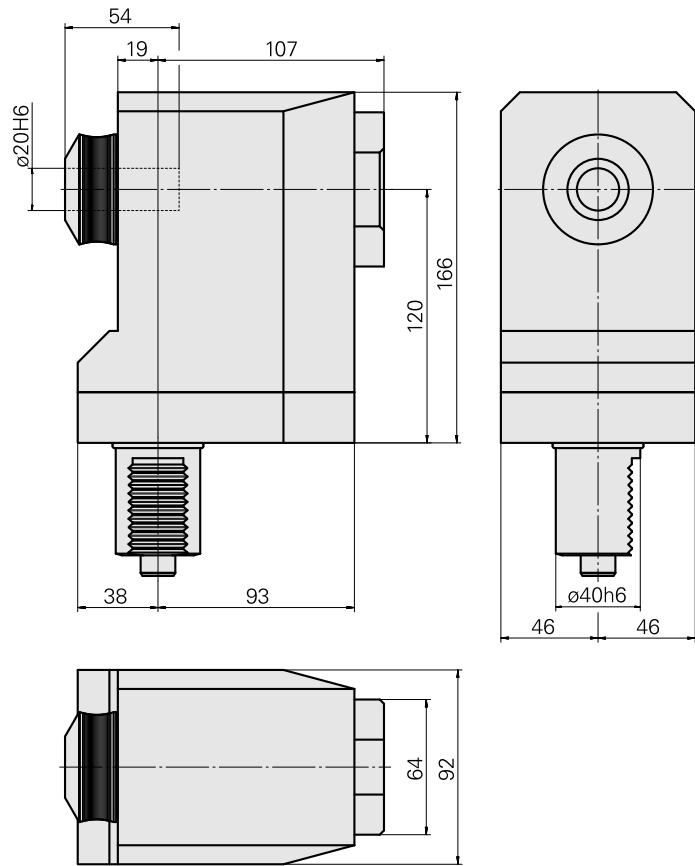
### Technical data

<b>Shank VDI</b>	VDI 40
<b>Drive</b>	Spline shaft B17x14
<b>Fixation VDI</b>	Aligning system
<b>Speed ratio</b>	2,88:1
<b>Cooling</b>	external and internal
<b>Pressure</b>	40 bar
<b>Mounting</b>	DIN 1835 E D20
<b>reversible 180°</b>	no
<b>Direction</b>	same as drive direction
<b>X [mm]</b>	120 (4.72")
<b>Y [mm]</b>	–
<b>Z [mm]</b>	44 (1.73)
<b>INDEX TRAUB products</b>	TNA400



### Note

No dry-run permitted!



## Documents

No downloads available for this product

## Accessories

Optional accessories

### Tool holder accessories

#### [Mounting sleeve with collar D20/ 3mm](#)

Product ID : 10908982

Previous product ID : W68511.0403

TH accessories  
category  
Mounting sleeve with  
collar

Mounting  
D20

Tool mounting  
3mm

#### [Mounting sleeve with collar D20/ 4mm](#)

Product ID : 10215398

Previous product ID : W68511.0404

TH accessories  
category  
Mounting sleeve with  
collar

Mounting  
D20

Tool mounting  
4mm

#### [Mounting sleeve with collar D20/ 5mm](#)

Product ID : 10832261

Previous product ID : W68510.0405

TH accessories  
category  
Mounting sleeve with  
collar

Mounting  
D20

Tool mounting  
5mm

[Mounting sleeve with collar D20/ 6mm](#)

Product ID : 10048953

Previous product ID : W68510.0406

TH accessories category Mounting sleeve with collar	Mounting D20	Tool mounting 6mm
--------------------------------------------------------	-----------------	----------------------

[Mounting sleeve with collar D20/ 7mm](#)

Product ID : 10224332

Previous product ID : W68510.0407

TH accessories category Mounting sleeve with collar	Mounting D20	Tool mounting 7mm
--------------------------------------------------------	-----------------	----------------------

[Mounting sleeve with collar D20/ 8mm](#)

Product ID : 10184191

Previous product ID : W68510.0408

TH accessories category Mounting sleeve with collar	Mounting D20	Tool mounting 8mm
--------------------------------------------------------	-----------------	----------------------

[Mounting sleeve with collar D20/ 10mm](#)

Product ID : 10258187

Previous product ID : W68510.0410

TH accessories category Mounting sleeve with collar	Mounting D20	Tool mounting 10mm
--------------------------------------------------------	-----------------	-----------------------

[Mounting sleeve with collar D20/ 11mm](#)

Product ID : 11010085

Previous product ID : W68510.0411

TH accessories category Mounting sleeve with collar	Mounting D20	Tool mounting 11mm
--------------------------------------------------------	-----------------	-----------------------

[Mounting sleeve with collar D20/ 12mm](#)

Product ID : 10584331

Previous product ID : W68510.0412

TH accessories category Mounting sleeve with collar	Mounting D20	Tool mounting 12mm
--------------------------------------------------------	-----------------	-----------------------

[Mounting sleeve with collar D20/ 14mm](#)

Product ID : 10681512

Previous product ID : W68510.0414

TH accessories category Mounting sleeve with collar	Mounting D20	Tool mounting 14mm
--------------------------------------------------------	-----------------	-----------------------

[Mounting sleeve with collar D20/ 15mm](#)

Product ID : 10804219

Previous product ID : W68510.0415

TH accessories category Mounting sleeve with collar	Mounting D20	Tool mounting 15mm
--------------------------------------------------------	-----------------	-----------------------

[Mounting sleeve with collar D20/ 16mm](#)

Product ID : 10324366

Previous product ID : W68510.0416

TH accessories category Mounting sleeve with collar	Mounting D20	Tool mounting 16mm
--------------------------------------------------------	-----------------	-----------------------