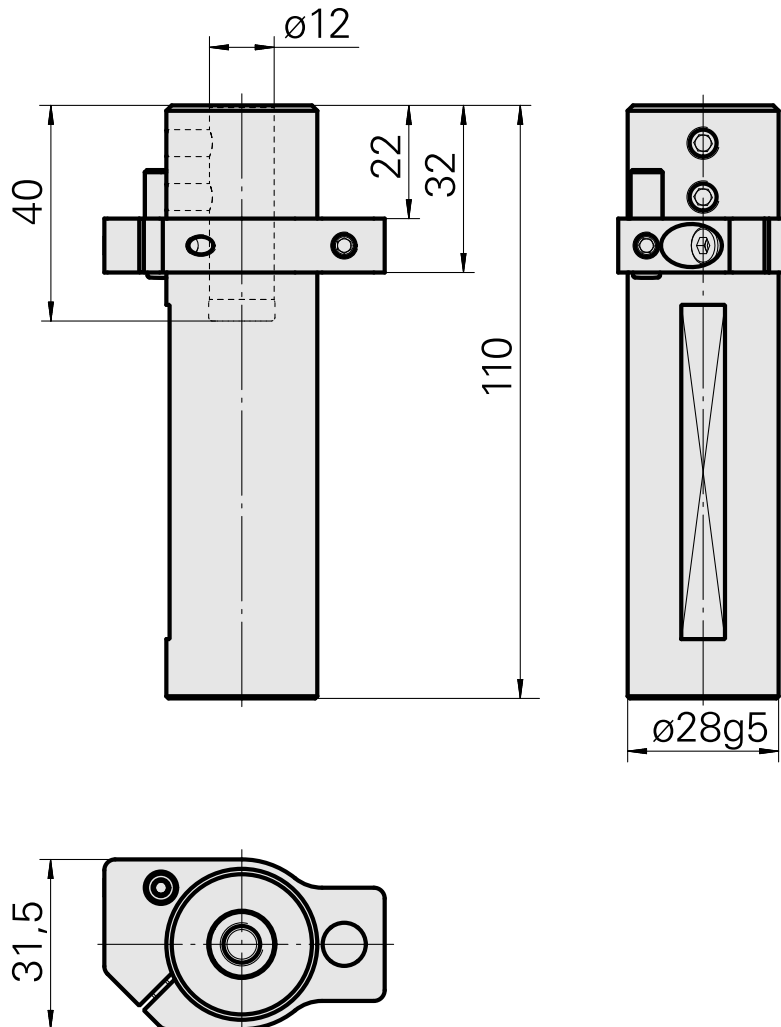


## Drilling tool holder Shank 28 D12 (0.47)

### Technical data

Shank TNL	Shank 28
Drive	not live
Fixation TNL	Pre-centering pin
Cooling	internal
Pressure	120 bar
Mounting	D12
X [mm]	-
Y [mm]	-
Z [mm]	32 (1.26)
INDEX TRAUB products	TNL12 • TNL12.2



---

## Documents

No downloads available for this product

## Accessories

Required for operation

### [COOLANT TUBE COMPLETE](#)

Product ID : 10255957

Previous product ID : 989156

---

### [CL feeder, fixed TNL12.2, Back/front working unit](#)

Product ID : 12063156

Previous product ID :

---

## Optional accessories

### **Other accessories**

### [Mounting sleeve with collar D12](#)

Product ID : 11060576

Previous product ID : W94280.21--

---

### [Spanner](#)

Product ID : 12083203

Previous product ID :

---