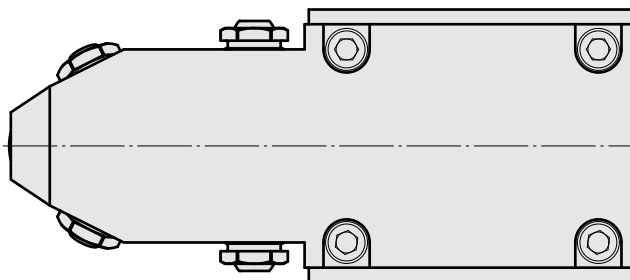
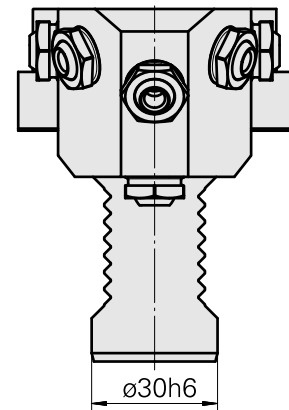
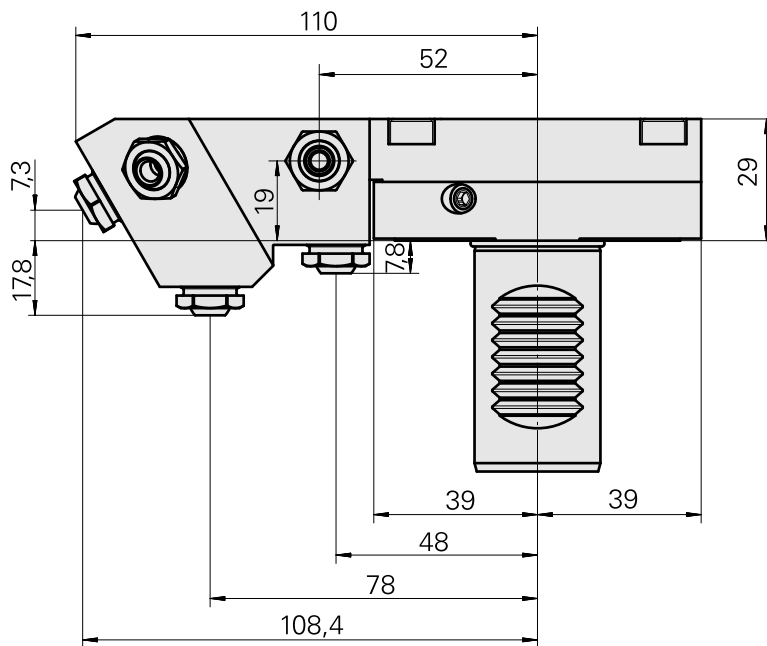
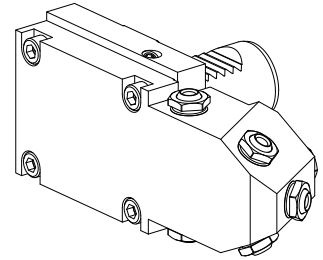


Flush holder VDI 30

Technical data

| | |
|----------------------|--|
| Shank VDI | VDI 30 |
| Drive | not live |
| Fixation VDI | none |
| Cooling | external |
| Pressure | 80 bar |
| reversible 180° | yes |
| Data carrier | check tool station bore |
| X [mm] | – |
| Y [mm] | – |
| Z [mm] | – |
| INDEX TRAUB products | G200.3 • G220.3 • G300.2 • G320.2 • TNX200.3 • TNX220.3 |



Documents

No downloads available for this product

Accessories

Optional accessories

Other accessories

[Locking screw](#)

Product ID : 10513297

Previous product ID : 410772.1010
