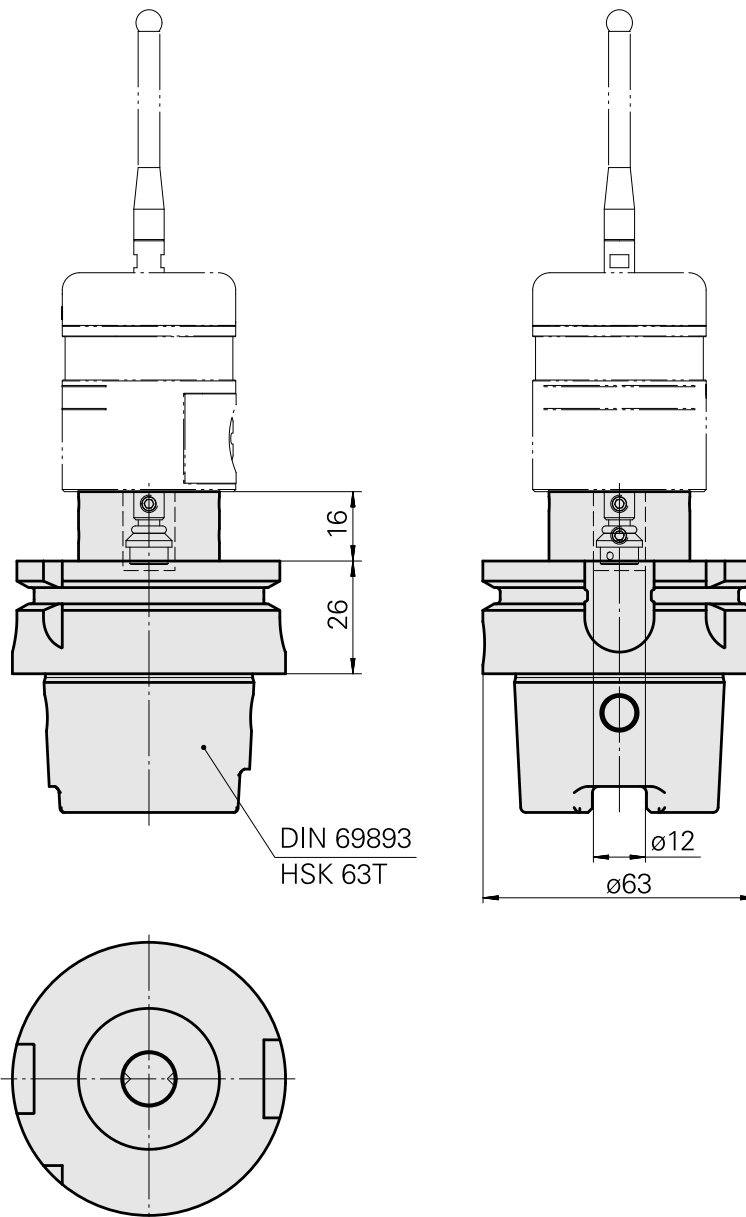
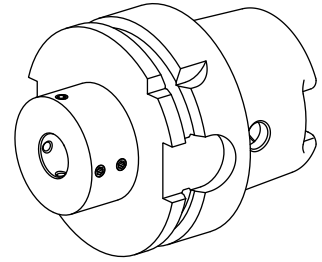


## Probe holder HSK 63 T Renishaw D11,2

### Technical data

Shank HSK	HSK 63
Form HSK	T
Mounting	Renishaw D11,2
X [mm]	42 (1.65")
Z [mm]	-
INDEX TRAUB products	G220.2



## Documents

No downloads available for this product

## Accessories

Required for operation

### Not defined

Product ID : 12133465

Previous product ID :

---

### Push-button insert

Product ID : 12133466

Previous product ID :

---

### Probe

Product ID : 10338967

Previous product ID : 487542.1441

---

## Optional accessories

### Tool holder accessories

#### Socket wrench

Product ID : 10352082

Previous product ID : WS7800.0010

TH accessories  
category  
Tool for KSS adapter

Mounting  
HSK 63 A/C

[Coolant adapter kit HSK-A63](#)

Product ID : 11074450

Previous product ID : WS7800.0020

TH accessories  
category  
Cooling lubricant  
transfer set

Mounting  
HSK 63 A/C

**Other accessories**[Case A-2033-7001](#)

Product ID : 10259626

Previous product ID : 487542.0911

---