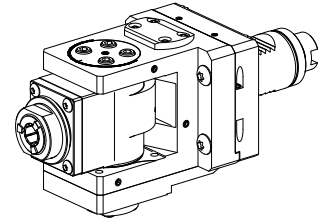


## Drilling unit VDI 40 1:1,69 ER20, ±110°

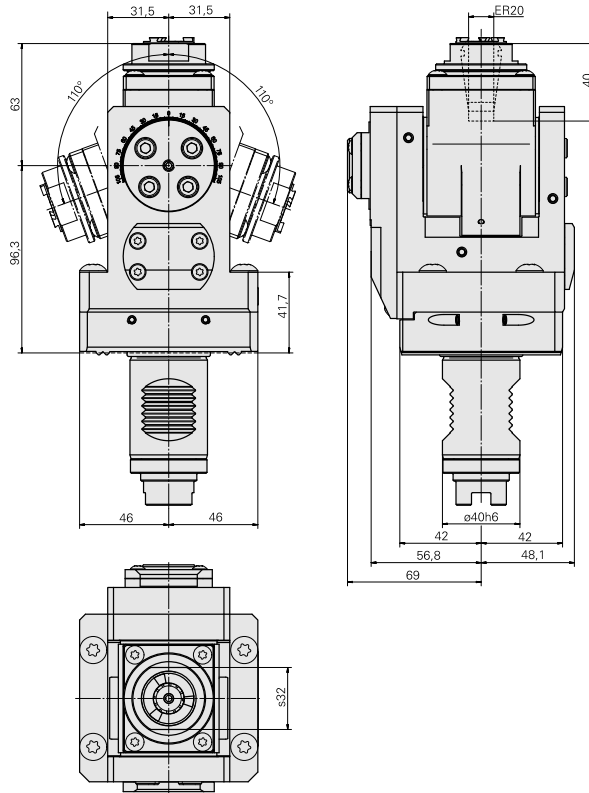
### Technical data

<b>Shank VDI</b>	VDI 40
<b>Drive</b>	Dog clutch
<b>Fixation VDI</b>	W serration
<b>Speed ratio</b>	1:1,69
<b>Cooling</b>	internal
<b>Pressure</b>	80 bar
<b>Mounting</b>	ER20
<b>reversible 180°</b>	yes
<b>Direction</b>	same as drive direction
<b>X [mm]</b>	96,3 (3,79")
<b>Y [mm]</b>	–
<b>Z [mm]</b>	–
<b>INDEX TRAUB products</b>	B400 • B500 • G320.2 • G400.2 • G420 • G500 • G520 • TNA400.2 • TNA500.2 • B400.3 • TNA400.3 • B500.3 • TNA500.3



### Note

With internal cooling, dry running is only permitted during setup of the workpiece!



## Documents

No downloads available for this product

## Accessories

Required for operation

### [Spanner](#)

Product ID : 10085639

Previous product ID : 490219.3201

TH accessories category Tool	Mounting ER20	Collet type ER 20	Clamping nut type Male thread
Tools for Collet chucks Clamping nut wrench			

## Optional accessories

### Tool holder accessories

### [Clamping nut](#)

Product ID : 10566942

Previous product ID : 901939.5201

TH accessories category Clamping nut	Mounting ER20	Collet type ER 20	Clamping nut type Male thread
---	------------------	----------------------	----------------------------------

### Other accessories

### [Clamping collet](#)

Product ID : 10863981

Previous product ID : 901930.2---

### [tapping tool collet ET-1-20](#)

Product ID : 10418139

Previous product ID : 3234--

[Collet chuck](#)

Product ID : 10135002

Previous product ID : W999066-

---

[Clamping collet, sealed](#)

Product ID : 10919110

Previous product ID : W999084-

---

[Closure plug](#)

Product ID : 11029296

Previous product ID : W68560.1314

---

[Sealing kit](#)

Product ID : 12181693

Previous product ID :

---