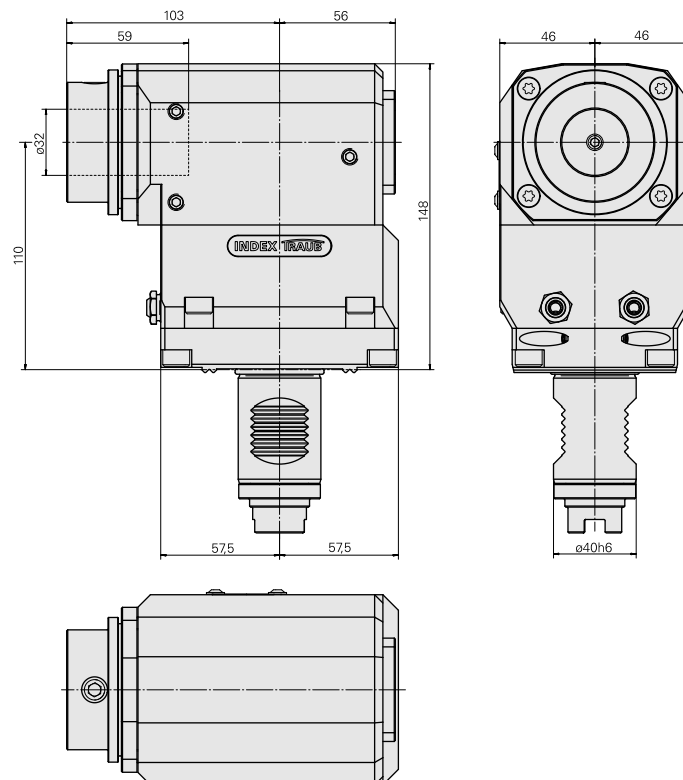
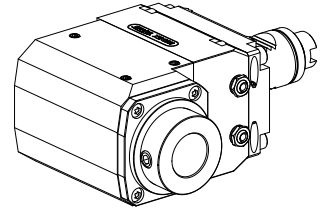


Milling unit VDI 40 2:1 D32 (1.26 ")

Technical data

Shank VDI	VDI 40
Drive	Dog clutch
Fixation VDI	W serration
Speed ratio	2:1
Cooling	external, internal optional
Pressure	80 bar
Mounting	D32
reversible 180°	yes
Direction	same as drive direction
X [mm]	110 (4.33")
Y [mm]	—
Z [mm]	103 (4.06)
Tool turret type	Radial turret
INDEX TRAUB products	B400 • B500 • G250 • G300.2 • G320.2 • G400.2 • G420 • G500 • G520 • TNA400.2 • TNA500.2



Documents

Product notes

[DE \(pdf\)](#)

[EN \(pdf\)](#)

[FR \(pdf\)](#)

[PT \(pdf\)](#)

Accessories

Optional accessories

Tool holder accessories

[Coolant Supply, internal 160 bar](#)

Product ID : 10236572

Previous product ID : W9990284

[Coolant Supply, internal 80 bar](#)

Product ID : 10687215

Previous product ID : W9990290

Other accessories

[Mounting sleeve with collar D32](#)

Product ID : 10505810

Previous product ID : W63221.40--

[HOLLOW SCREW M14x1 M14x1](#)

Product ID : 10105238

Previous product ID : W67530.0818

[BUSHING 10 D x 6 D x 12,5](#)

Product ID : 10670360

Previous product ID : W67530.0824

Coolant Nozzle

Product ID : 11031912

Previous product ID : W67500.3208

Sealing kit

Product ID : 12181693

Previous product ID :

Blanking plug MIT O-RING 479105.1200

Product ID : 10988240

Previous product ID : W68540.2014
