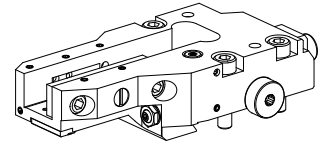


Grooving tool and stop holder MS32/MS40

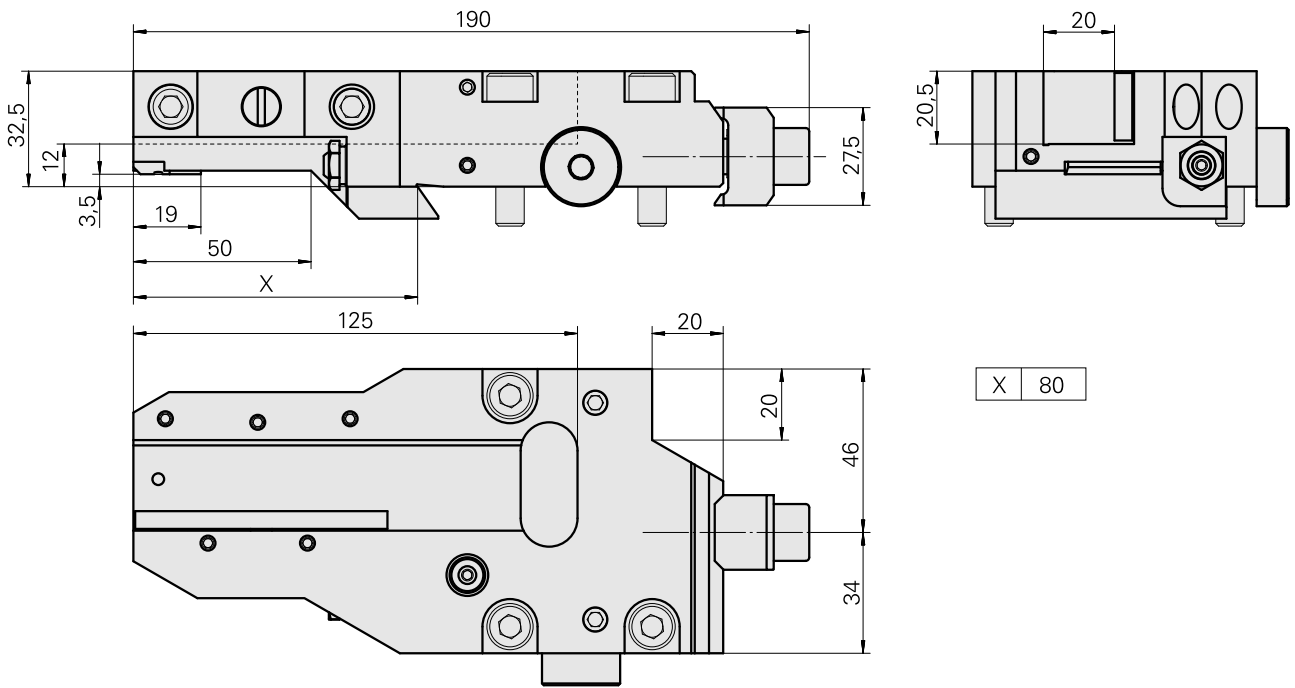
Technical data

| | |
|----------------------|-----------------------|
| Slide system MS | MS32/MS40 |
| Drive | not live |
| Fixation MS | Dovetail |
| Cooling | external and internal |
| Pressure | 80 bar |
| Direction | right-handed run |
| Mounting | Square 20x20 |
| X [mm] | 80 (3.15") |
| Y [mm] | – |
| Z [mm] | 12 (0.47) |
| INDEX TRAUB products | MS40-8 |



Note

Can be used only in position 7.1! Stop plate is not included!



Documents

No downloads available for this product

Accessories

Optional accessories

Tool holder accessories

[Tube, L=100 mm \(3.93"\)](#)

Product ID : 10303677

Previous product ID : W9990910

TH accessories
category
Cooling lubricant tube

Mounting
M5

[Angle, Height 4 mm, Width 4 mm](#)

Product ID : 10328835

Previous product ID : WK1110.16

TH accessories
category
Compensation bracket

Mounting
Square 20x20

Other accessories

[SOCKET HEAD SCREW](#)

Product ID : 10559508

Previous product ID : 410260.0412

[Coolant nozzle D10; M6](#)

Product ID : 10562562

Previous product ID : W00019.0153

[Hollow screw M12x1](#)

Product ID : 10757766

Previous product ID : W02013.0001

Bush 4x8x12

Product ID : 10831938

Previous product ID : W02010.0002

Ball nozzle D8xM5

Product ID : 10392450

Previous product ID : W02019.0002

Stop plate

Product ID : 12124573

Previous product ID :

Countersunk screw M 4x 8/T20 verzinkt 402314 8

Product ID : 10586100

Previous product ID : 410362.0408

COVER (Anschlagdeckel/Verschleißt.)

Product ID : 10900388

Previous product ID : W95061.5214
